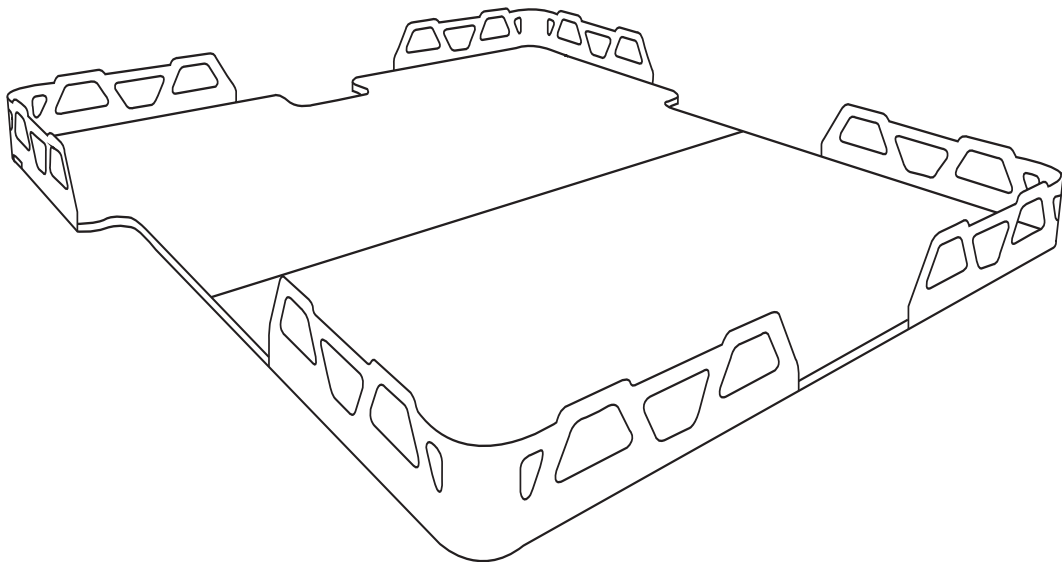
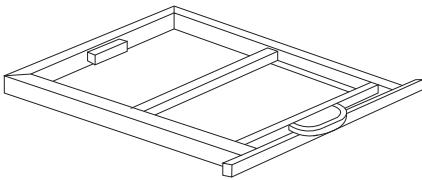
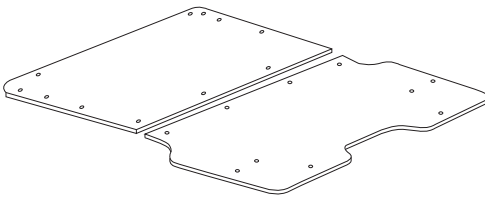

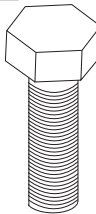

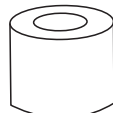



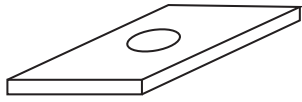


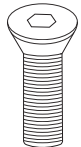
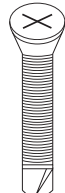



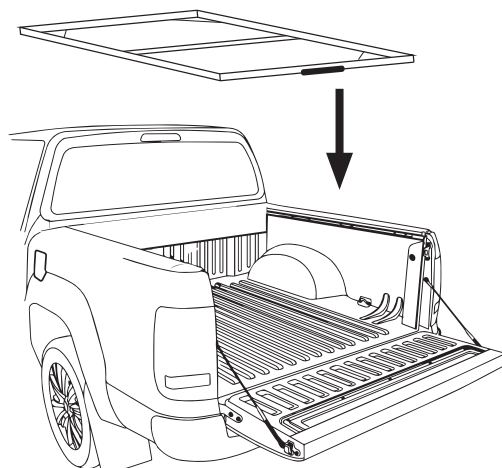


LOAD SLIDE

INSTALLATION INSTRUCTIONS

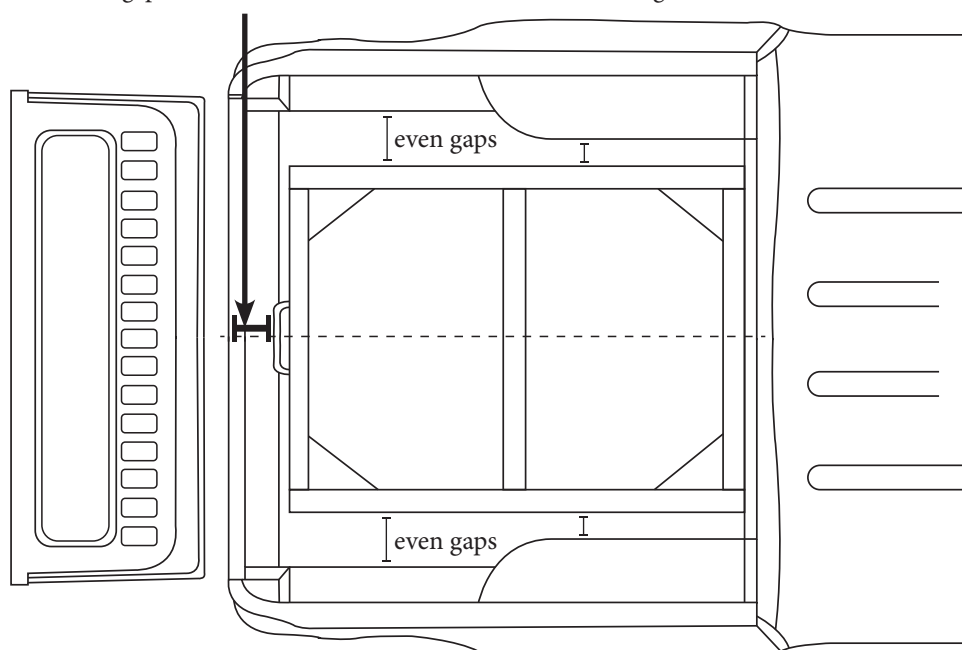


A  1X	B  1X	C  4X				
D  4X	E  4X	F  2X	G  4X	H  4X	I  4X	J  4X
K  16X	L  16X	M  16X	N  20X	 AUSTRALIAN MADE AUSTRALIAN OWNED AUSTRALIAN SOURCED		



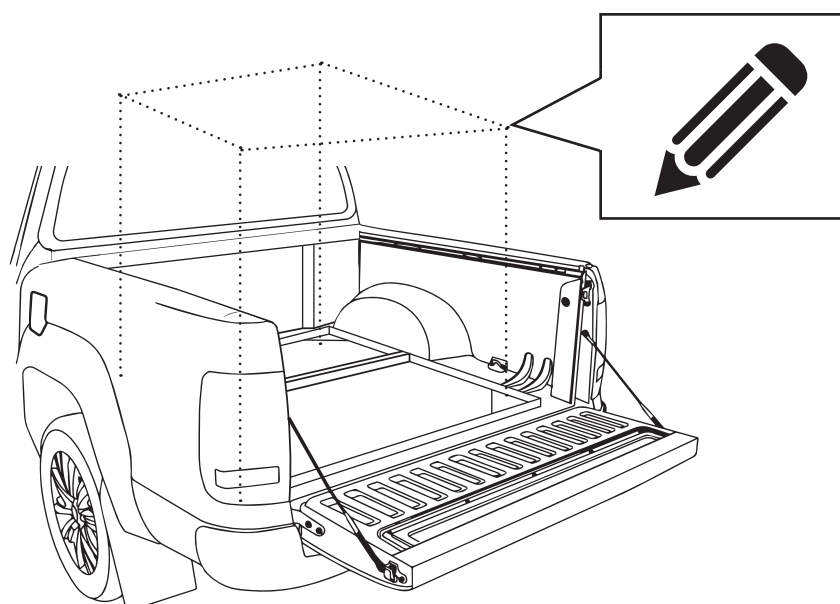
1

Ensure there is a clearance gap of between 5-10mm from the handle to the tailgate.



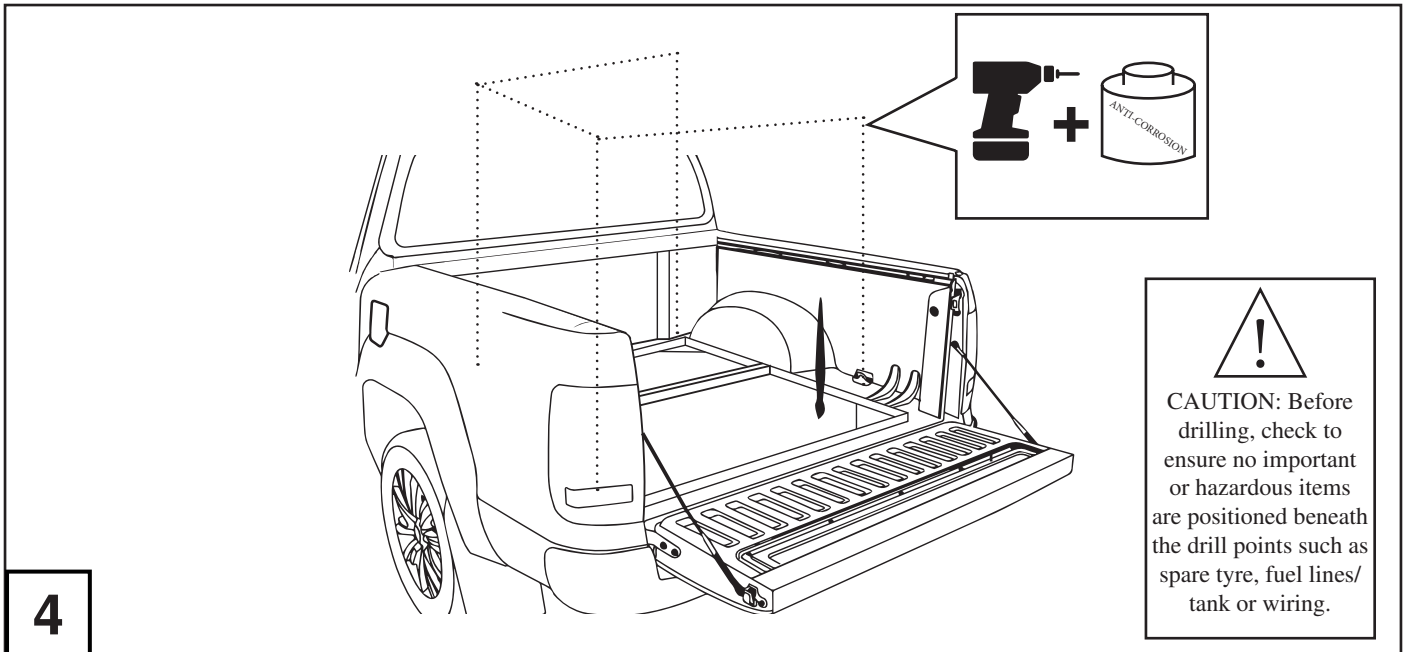
2

Centre the frame in the middle of the tub allowing even gaps between wheel arches.

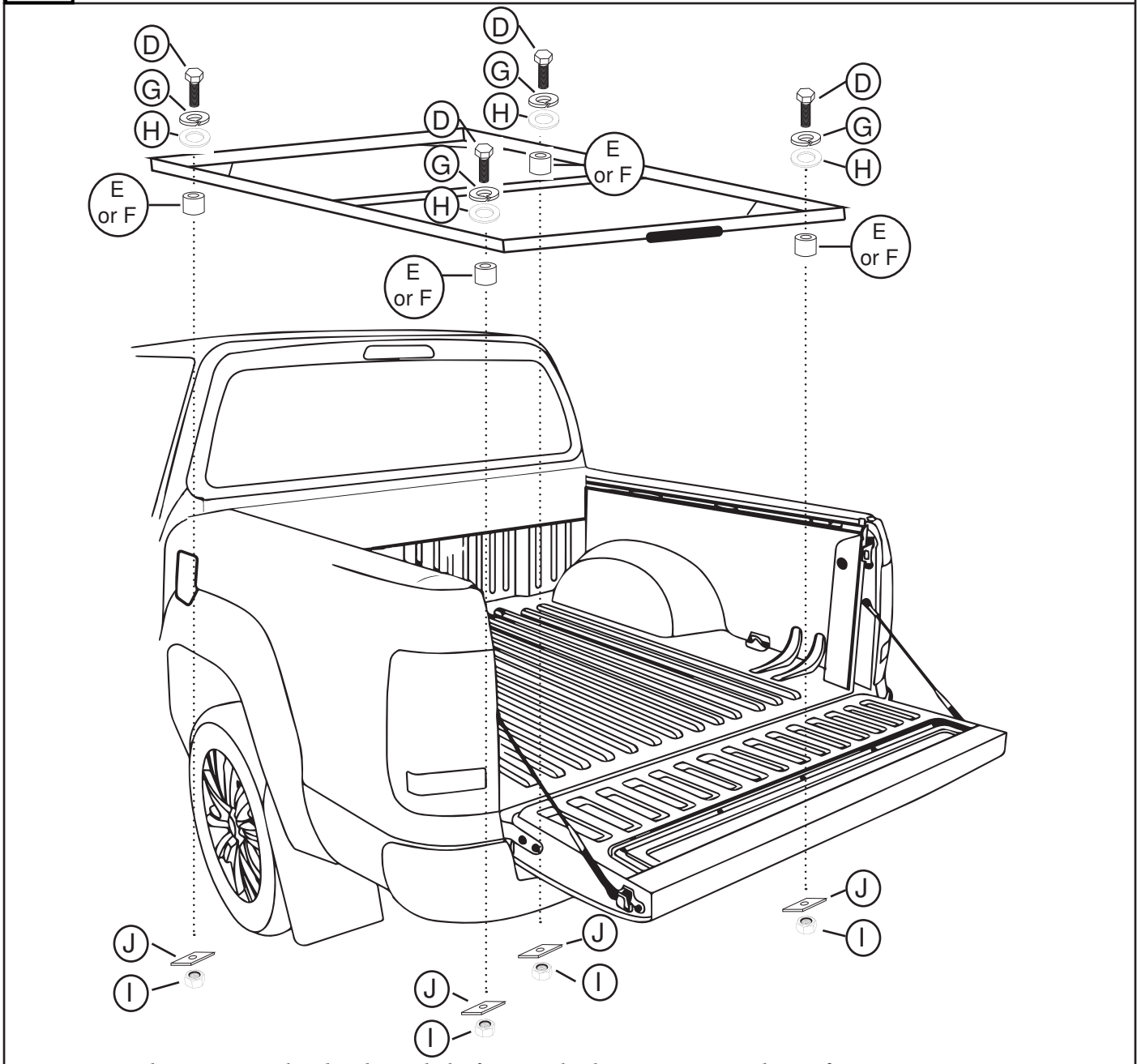


3

Mark and pick relevant drill holes.



4

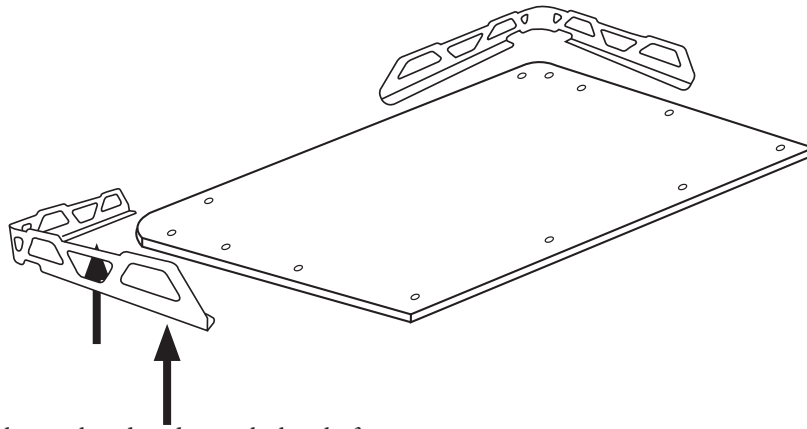


5

Ensure the spacers are placed underneath the frame. Pick relevant spacer according to fitting.



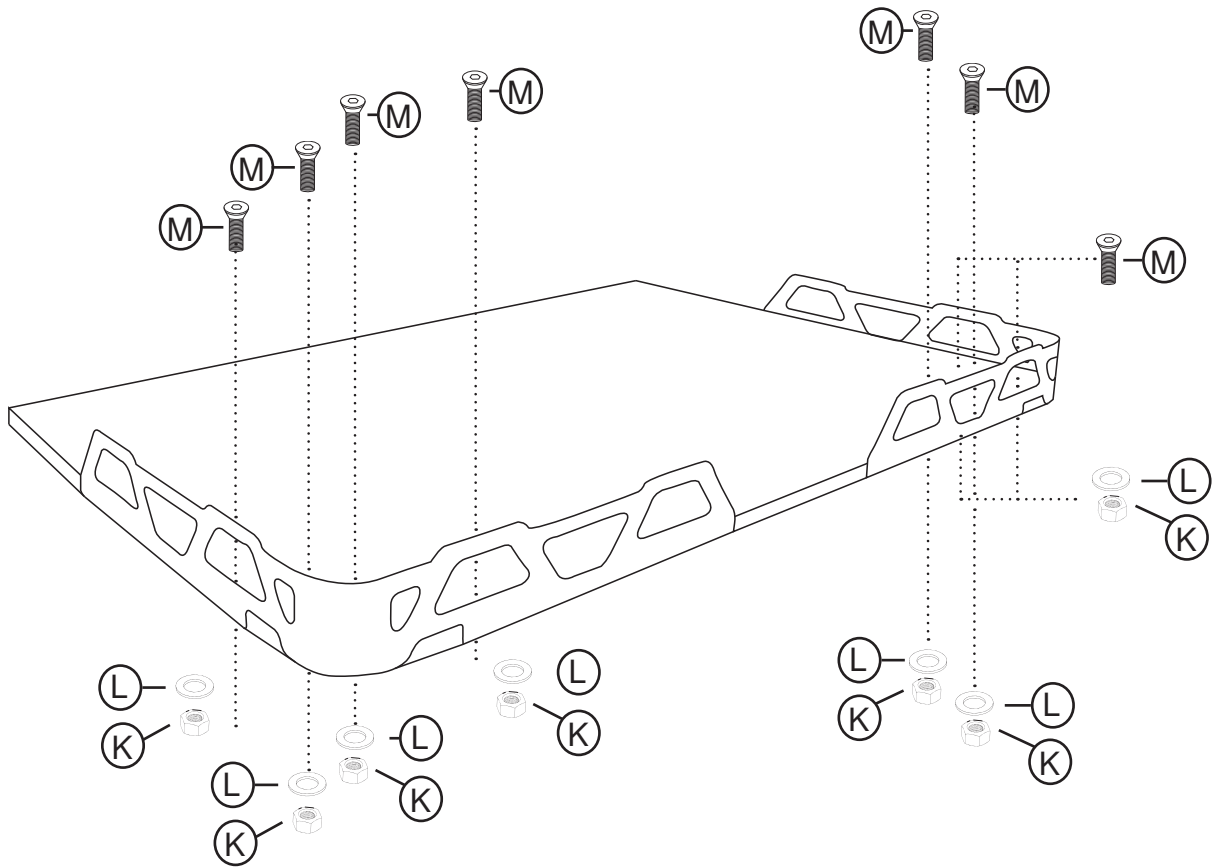
Item I, M10 nylock nut, to be installed last. **Warning** do not install together with item J.



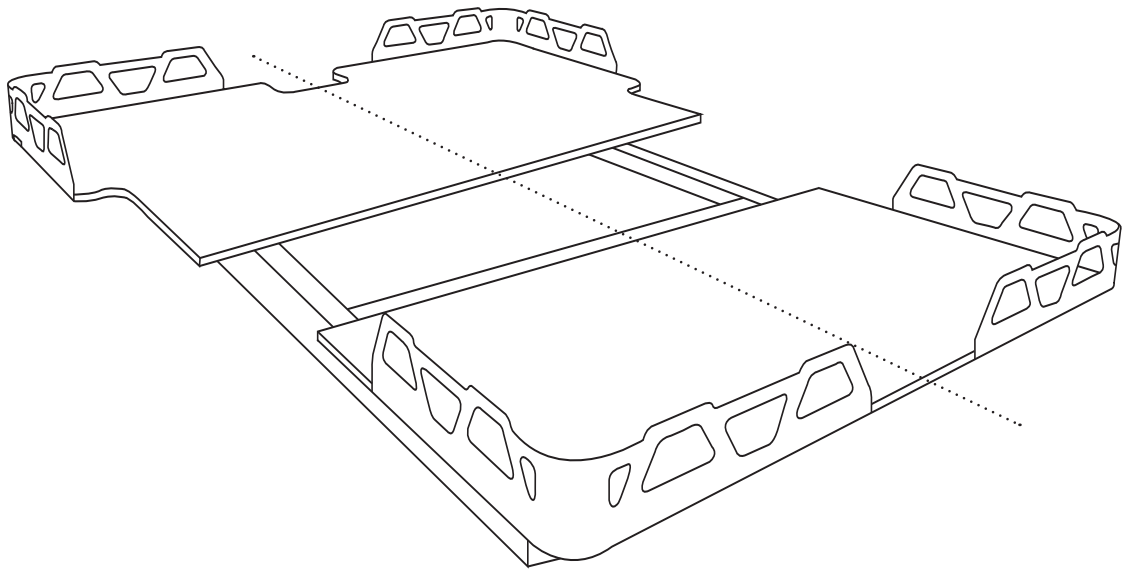
6

Ensure side-rails are placed underneath the platform.

*REPEAT THIS PROCESS FOR THE FRONT PLATFORM.



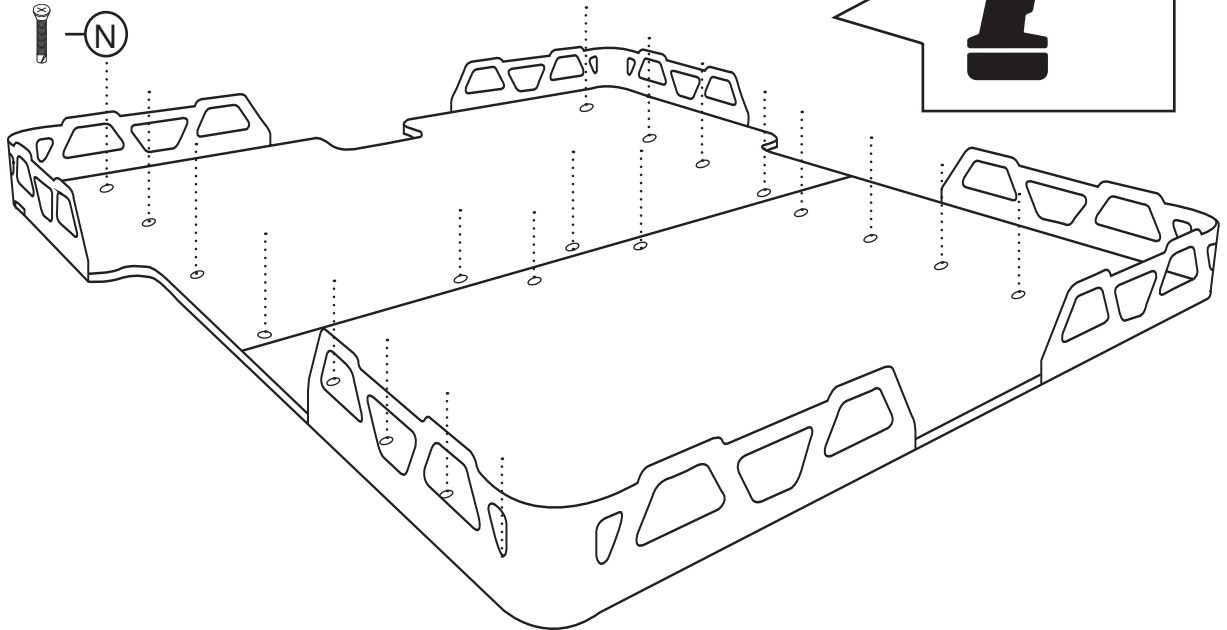
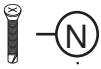
7



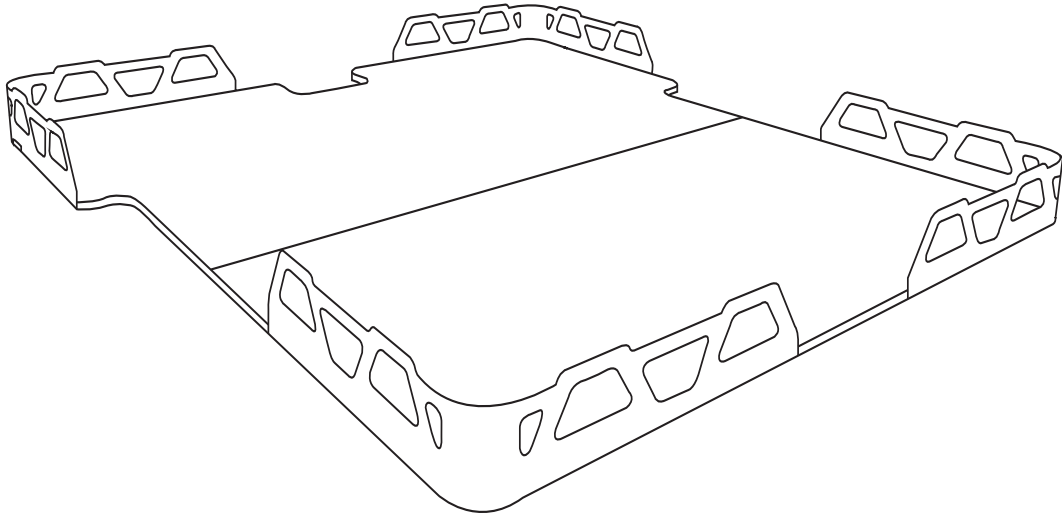
8

Centre the both platforms on the frame and ensure all gaps are even.

* Add pilot holes to frame before fastening screws.



9



WARNINGS!



**NO STANDING
ON PLATFORM**



**ENSURE
LOAD IS SECURE**

MAX LOAD



**250kg
EVENLY
DISPERSED
LOAD**



**DO "NOT"
OVERTIGHTEN TIE
DOWN STRAPS**



**MECHANICAL
HAZARD**

MAINTENANCE

- Keep the vehicle tub clear of dirt and debris ensuring the smooth operation of the Load Slide.
- Regularly clean the roller track with a clean cloth for smooth operation.

HSP UTE LIDS PTY LTD

40 Overseas Drive, Noble Park North,
Victoria, 3174

(03) 9795 8206

info@hsputelids.com



UNLOCK YOUR VEHICLES POTENTIAL