



WWW.HSPUTELIDS.COM

1300 441 498

Part No: X18

Fitting Time: 45mins



ISUZU D-MAX

HSP TAIL LOCK

---

FITTING INSTRUCTIONS

## — GENERAL NOTES

---

- Read through the fitting instructions prior to installation of accessory.
- Ensure all recyclable components and packaging are discarded and recycled following local recycling regulations.
- Safely store and protect any removed vehicle components.

## — SAFETY NOTES

---

- Check that all work practices comply with safety standards.
- Please wear appropriate clothing and use safety equipment.

## — FITTING TIME

---



45mins

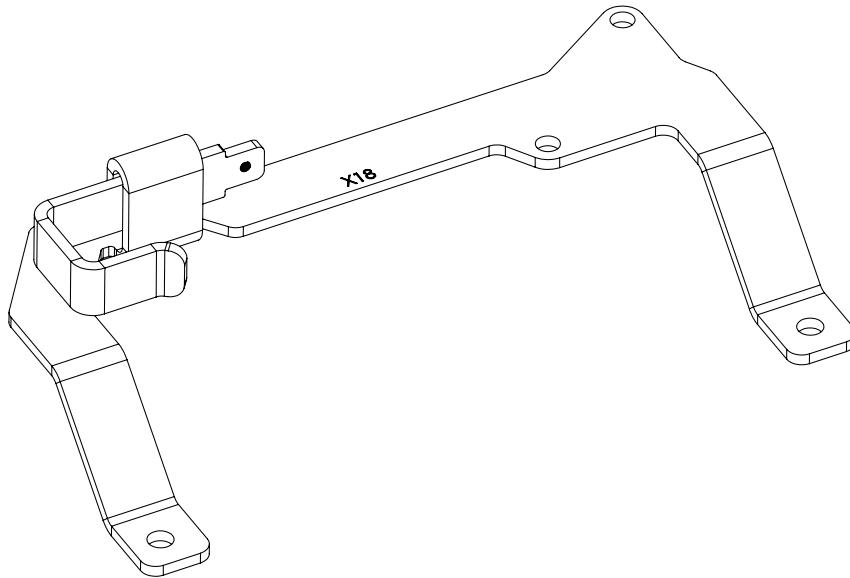
## — PARTS SUPPLIED

---

Part Description	Part Number	Quality/ Length	CHECK LIST
<b>TAIL LOCK ASSEMBLY</b>			
Main Bracket	X18-A	1	
Tube	X18-B	1	
Actuator	ACT-01	1	
Wiring	CL-LOOM-LONG	1	
Patch Wiring	X-PATCH	1	
Lever	X18-C	1	
<b>FASTENERS</b>			
Actuator Screws	36	2	
Lever Bolt	32	1	
20mm M6 Bolt	16	1	
<b>OTHER</b>			
Cable Ties		5	
Fitting Instruction		1	

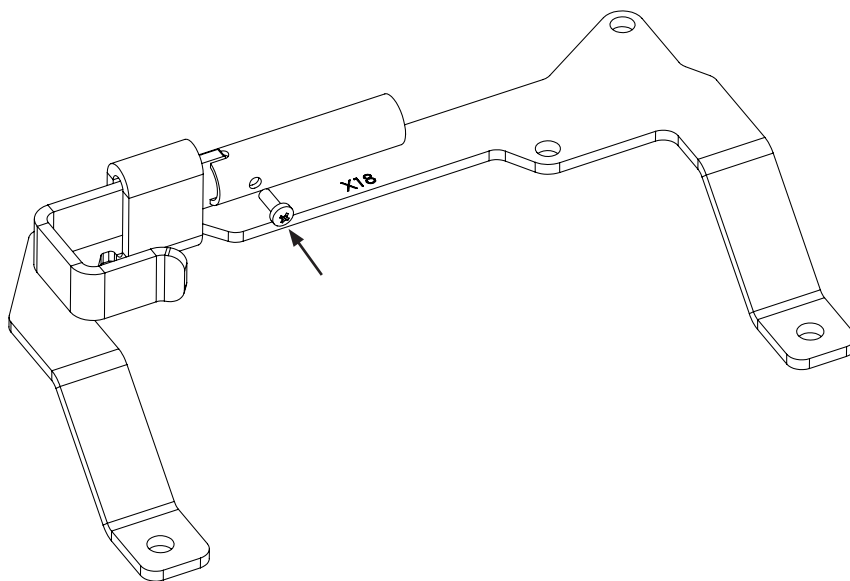
## — STEP 1 —

Fit the lever through main bracket bend as shown.



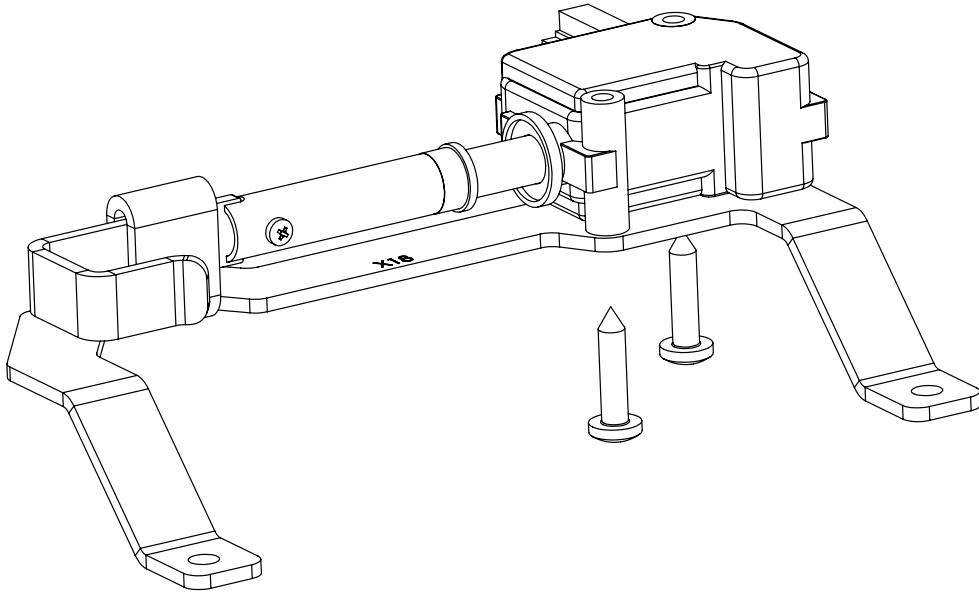
## — STEP 2 —

Fit tube to lever and fasten the bolt as shown.



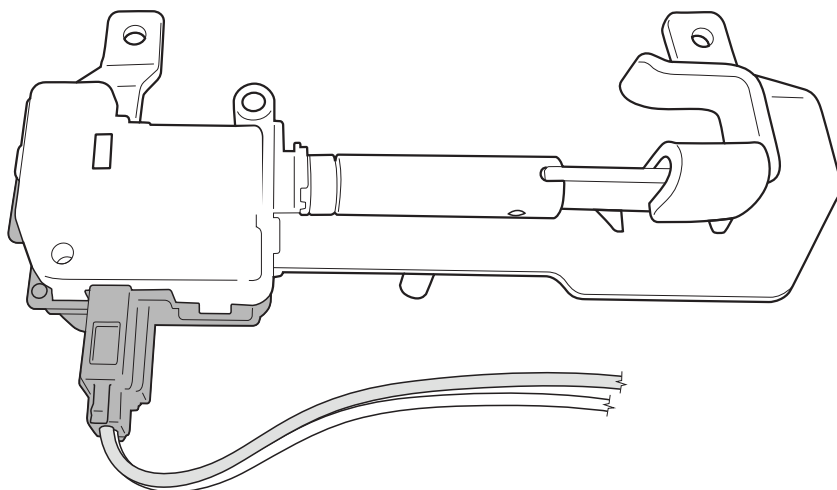
— STEP 3 —

Fit actuator to main bracket as shown.



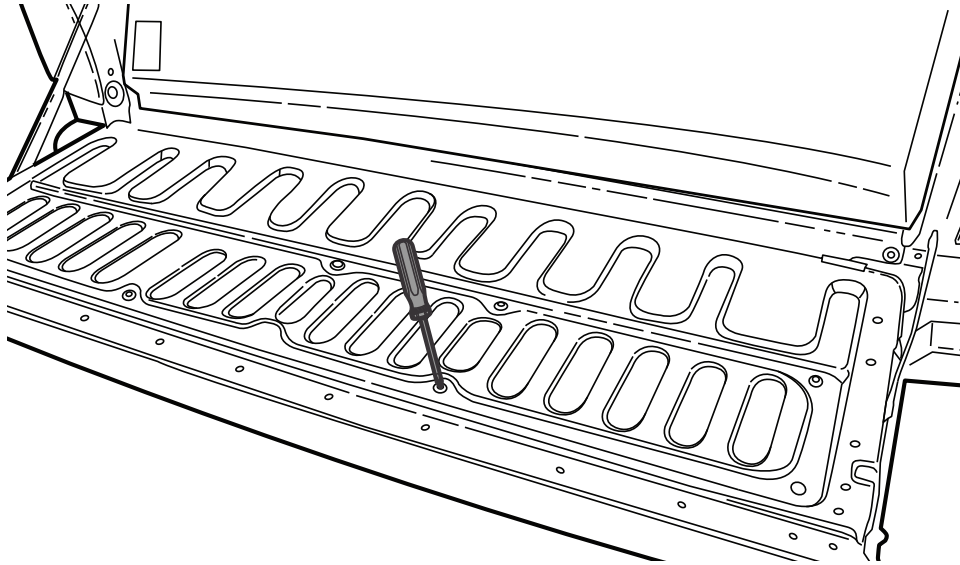
— STEP 4 —

Plug wiring to actuator.



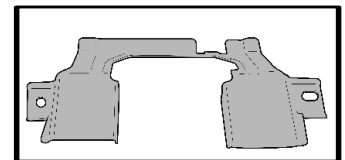
— STEP 5 —

Remove tail gate cover.

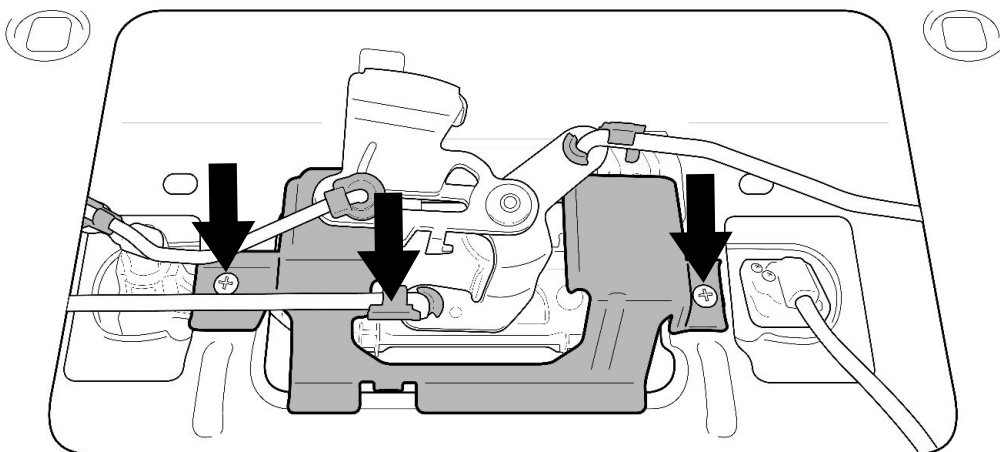


— STEP 6 —

Remove cover then remove the indicated bolts and rod as shown.



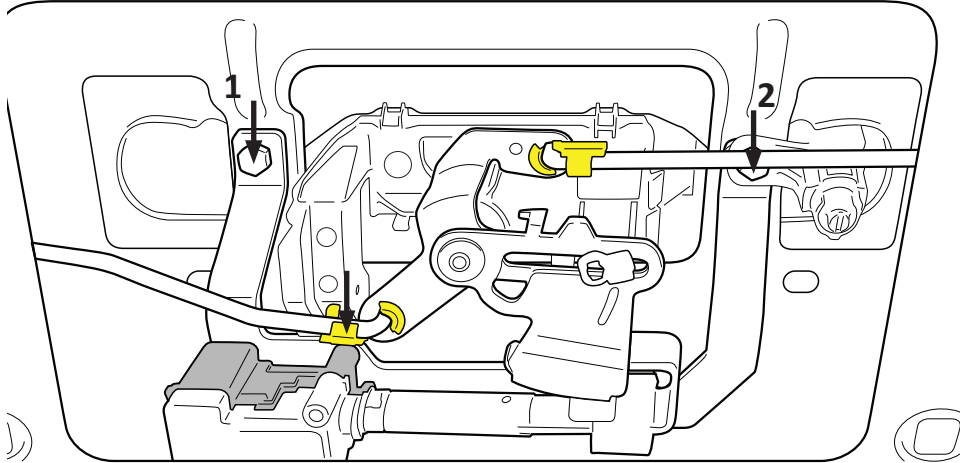
Dispose cover



## — STEP 7 —

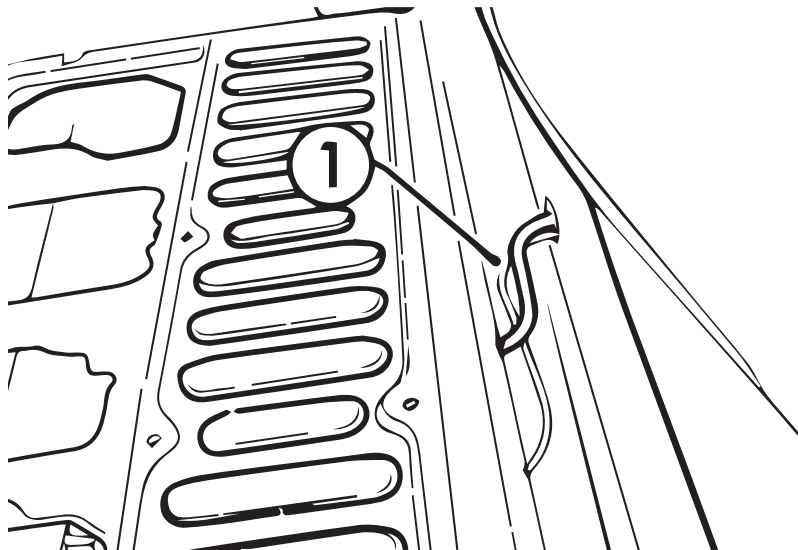
Fit Tail Lock bracket and indicated bolts and rod as shown.

- 1) Use the longer of the two bolts removed earlier to fasten.
- 2) Use the included 20mm M6 Bolt to fasten.



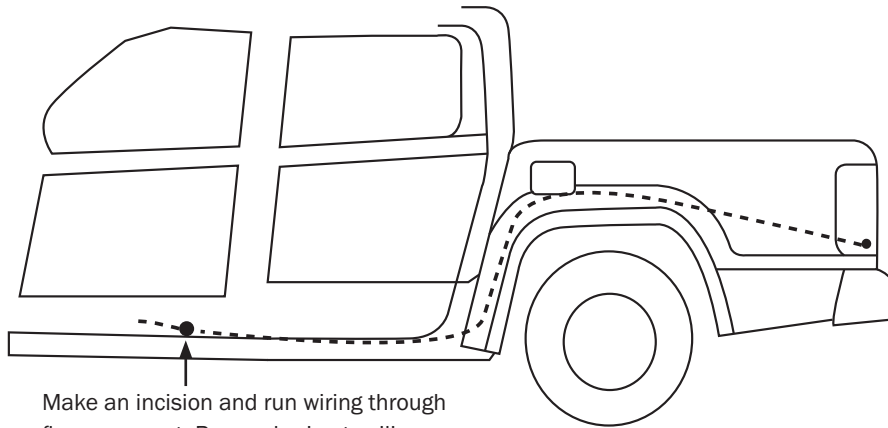
## — STEP 8 —

Run wiring from tailgate unde the car



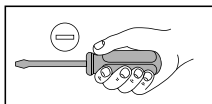
— STEP 9 —

Run wiring from tailgate to front passenger door over chassis rail. Cable tie wiring every 500mm.

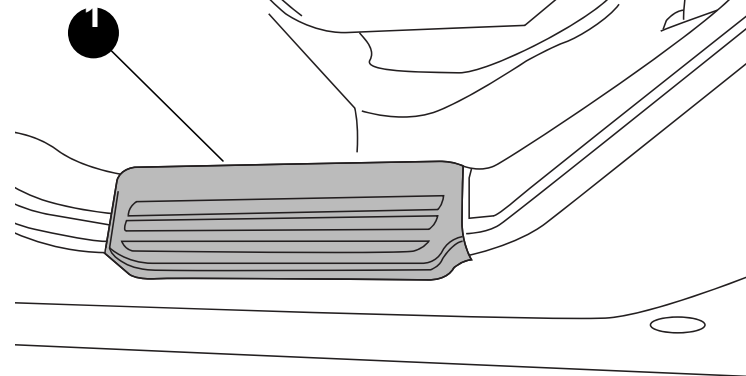


Make an incision and run wiring through floor grommet. Remembering to silicon when finished.

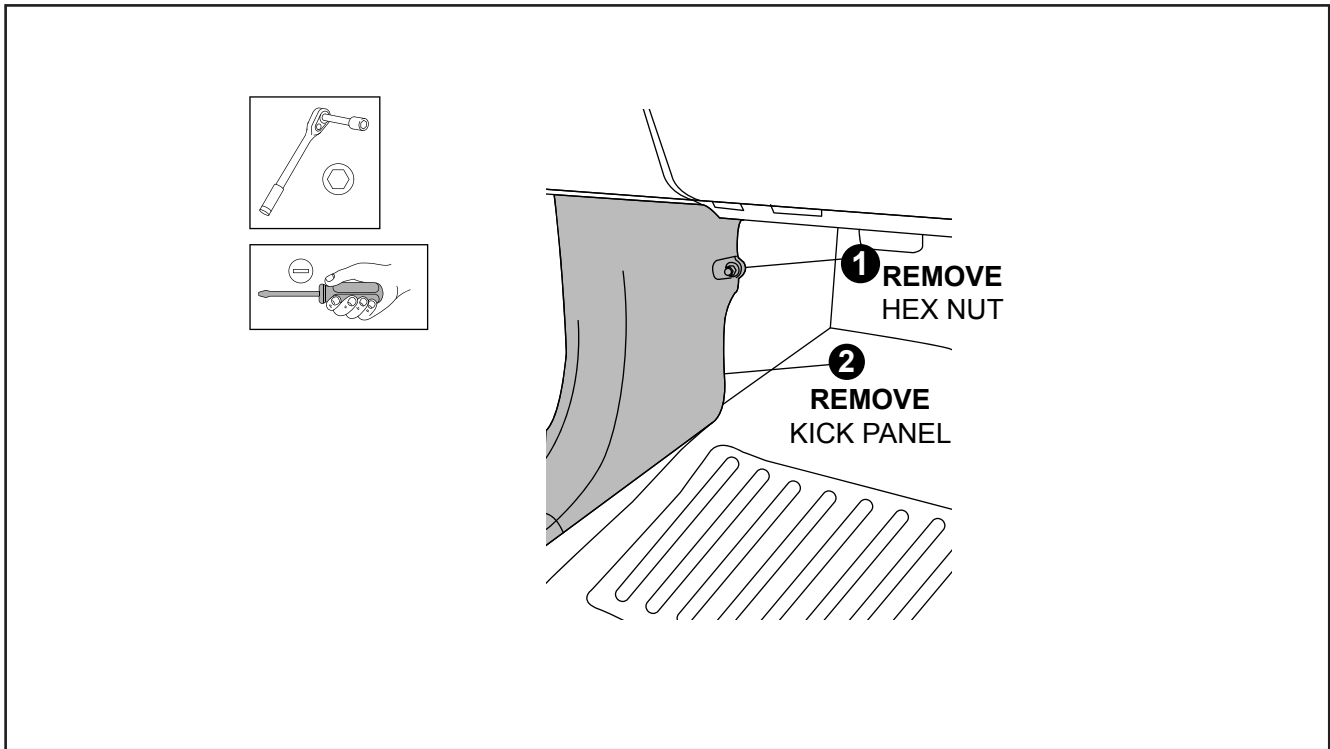
— STEP 10 —



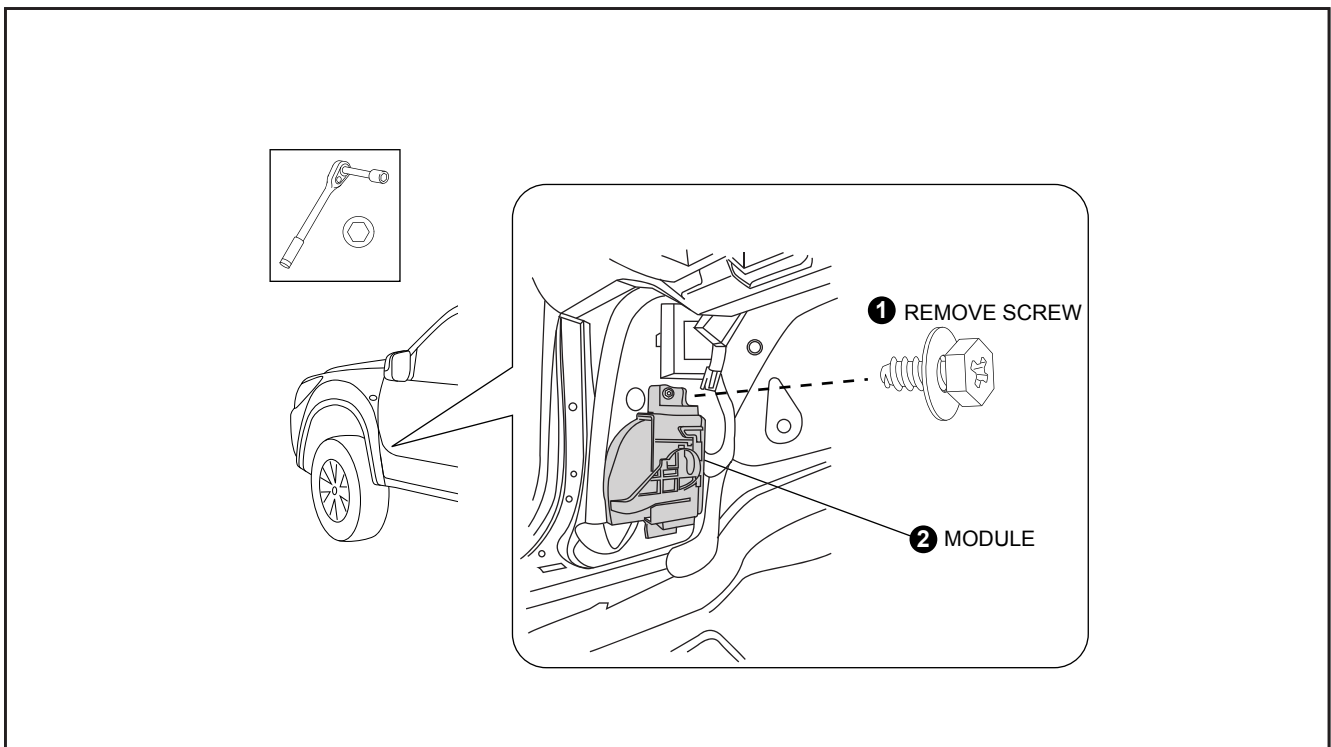
**REMOVE  
SCUFF PLATE**



—STEP 11—



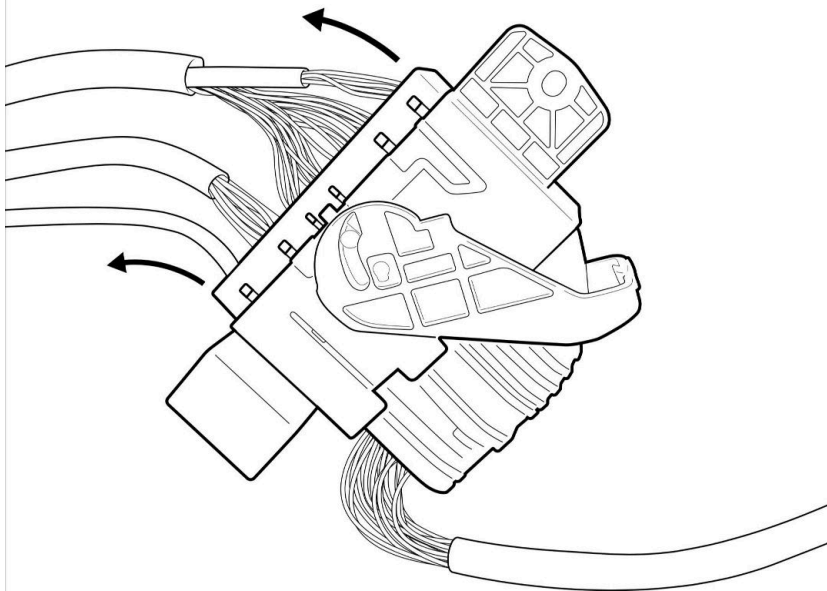
—STEP 12—





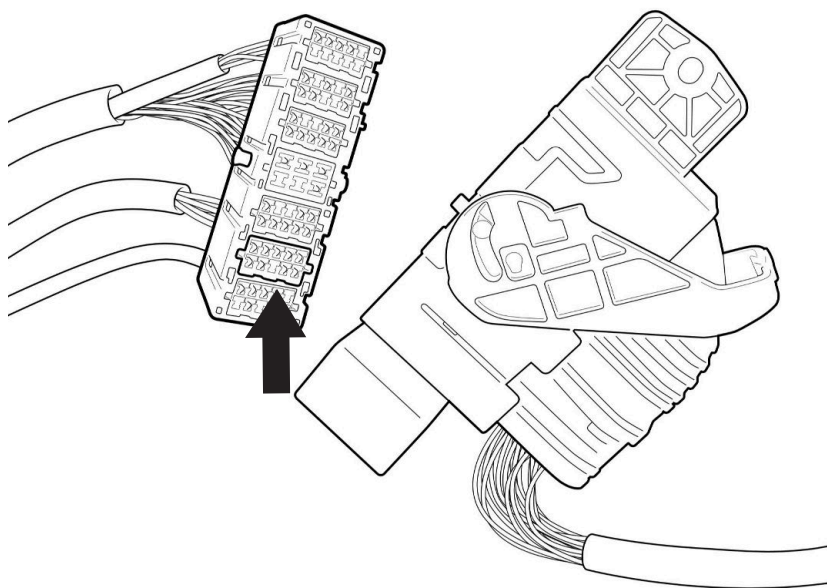
— STEP 13 —

Release the lever and unplug wiring.



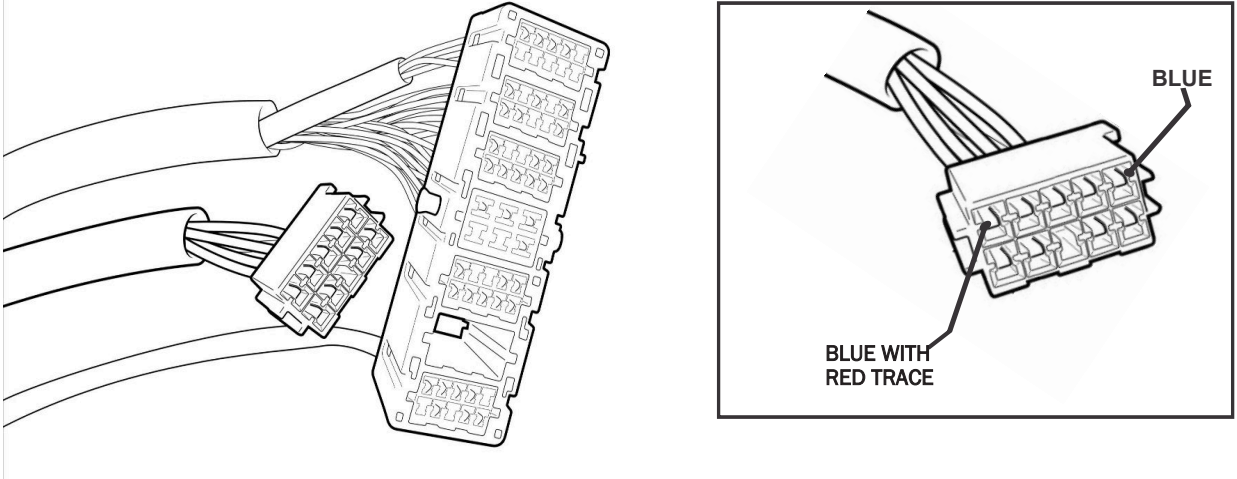
— STEP 14 —

Remove indicated section.



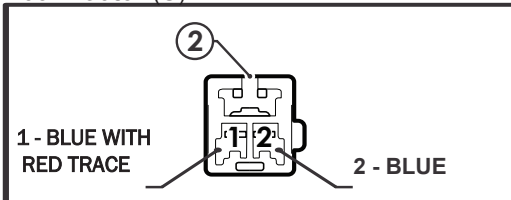
—STEP 15—

Remove wire blue, replace with wire blue from X-PATCH loom.  
Remove wire blue with red trace, replace with wire red from X-PATCH loom



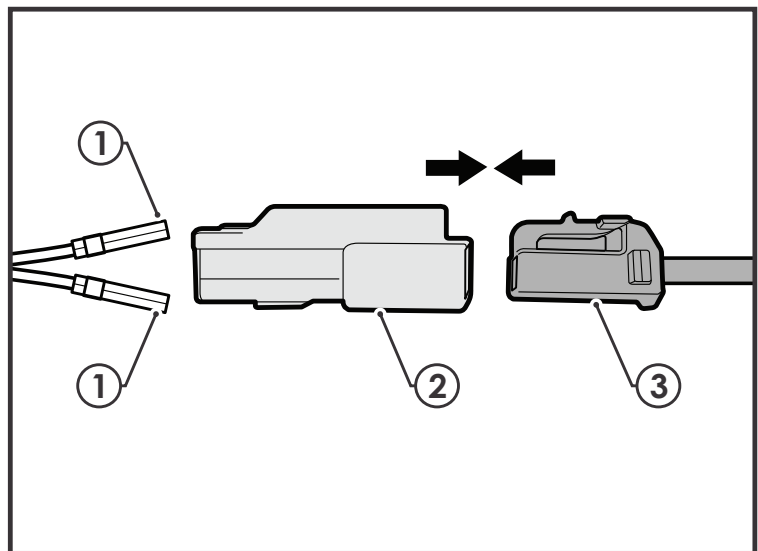
—STEP 16—

House the lock/unlock wiring terminals, previously removed from the vehicle harness (1) into the supplied 2-way male connector (2) as shown, now Connect the actuator wiring harness to the vehicle patch harness 2-way connector (3).



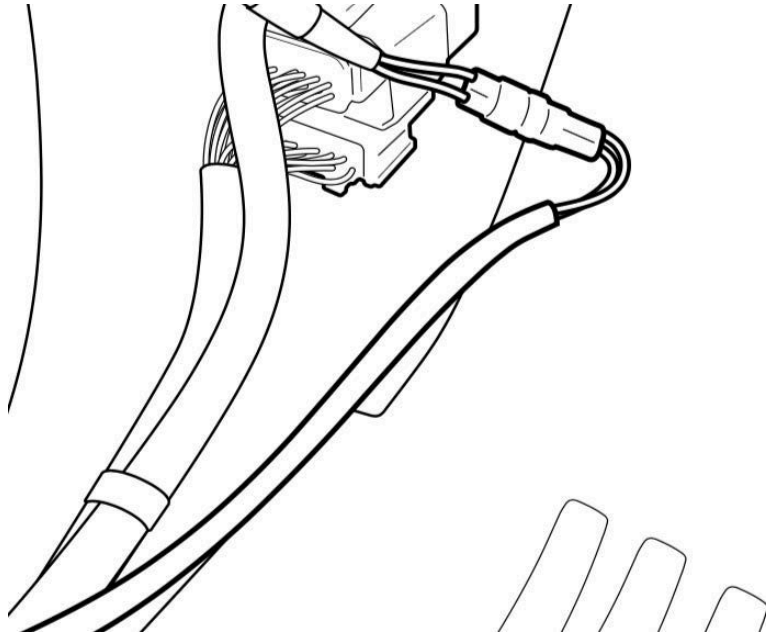
Rear view of 2-way connector

Check the wiring harness and vehicle patch harness are securely attached to the main vehicle harnesses.



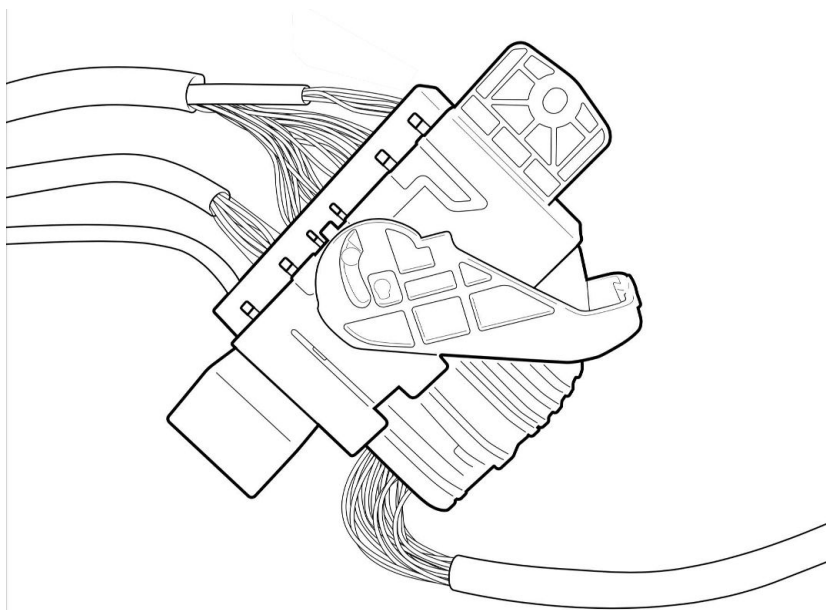
—STEP 17—

Connect X-PATCH loom to CL-LOOM-LONG



—STEP 18—

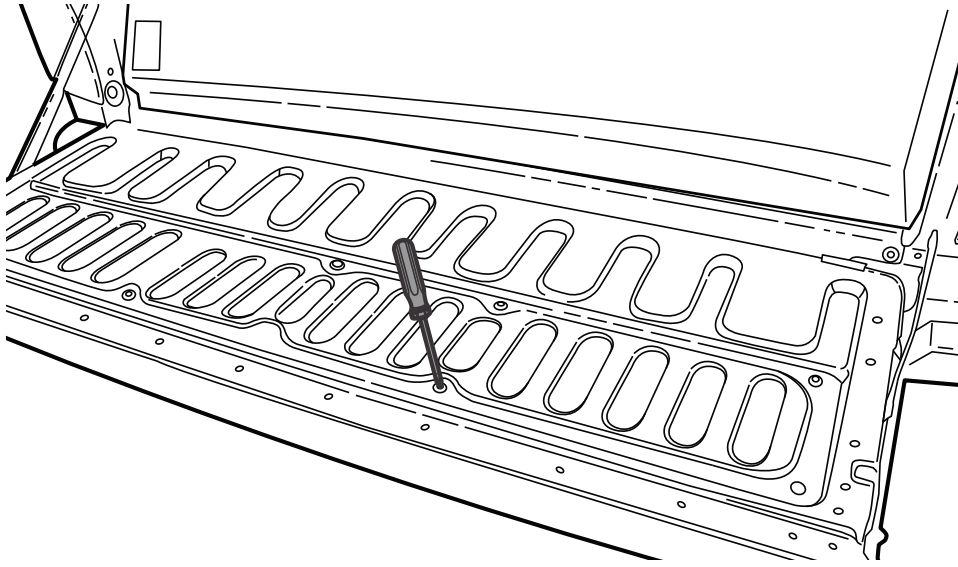
Plug all connectors removed earlier inside kicker panel. Then assemble kicker panel.



—STEP 19—

---

Place and fasten tail gate cover.



—FITTING COMPLETED—

---