



# INSTALLATION INSTRUCTIONS

**Vehicle Model: FORD RANGER - PX 2011 onwards,  
& FORD RANGER RAPTOR WITH -  
Extended, Tickford or Extended FX4 Sports Bars**



**INSTALLATION TIME:** 2 hours and 10 minutes(Approximately)

<b>IMPORTANT</b>	<ul style="list-style-type: none"> <li>• Do not stand/sit or rest heavy objects on Roll R Cover</li> <li>• Humans or animals are not to be under the closed cover at any given time</li> <li>• Tonneau Cover is not dust or water tight</li> <li>• If contact with volatile chemicals occur, clean Cover with mild detergent and water solution</li> </ul>			
<b>Care Instructions</b>	<ul style="list-style-type: none"> <li>• Read Instructions fully before commencing installation.</li> <li>• Clean Cover with a mild detergent and water solution</li> <li>• Do not use abrasive cleaners or solvents</li> <li>• Refer to manufactures instructions applicable to power drill.</li> <li>• Protect Tub floor against scratches during installation process.</li> </ul>			
<b>Maintenance</b>	Refer to Maintenance instructions.			
<b>Tools Required</b>	<table border="0" style="width: 100%;"> <tr> <td style="vertical-align: top;"> <ul style="list-style-type: none"> <li>• Pen / Marker</li> <li>• Centre Punch</li> <li>• Drill &amp; Drill bits</li> <li>• Caulking Gun</li> <li>• Silicon - Non Acetic</li> </ul> </td> <td style="vertical-align: top;"> <ul style="list-style-type: none"> <li>• Scissors &amp; Knife</li> <li>• Spanner &amp; Socket</li> <li>• Tape measure</li> <li>• Holesaw</li> <li>• Filing tool</li> </ul> </td> <td style="vertical-align: top;"> <ul style="list-style-type: none"> <li>• Soapy water solution</li> <li>• Allen Key set</li> <li>• Screw driver</li> <li>• Rust Inhibitor</li> <li>• Trim Removal Tool</li> </ul> </td> </tr> </table>	<ul style="list-style-type: none"> <li>• Pen / Marker</li> <li>• Centre Punch</li> <li>• Drill &amp; Drill bits</li> <li>• Caulking Gun</li> <li>• Silicon - Non Acetic</li> </ul>	<ul style="list-style-type: none"> <li>• Scissors &amp; Knife</li> <li>• Spanner &amp; Socket</li> <li>• Tape measure</li> <li>• Holesaw</li> <li>• Filing tool</li> </ul>	<ul style="list-style-type: none"> <li>• Soapy water solution</li> <li>• Allen Key set</li> <li>• Screw driver</li> <li>• Rust Inhibitor</li> <li>• Trim Removal Tool</li> </ul>
<ul style="list-style-type: none"> <li>• Pen / Marker</li> <li>• Centre Punch</li> <li>• Drill &amp; Drill bits</li> <li>• Caulking Gun</li> <li>• Silicon - Non Acetic</li> </ul>	<ul style="list-style-type: none"> <li>• Scissors &amp; Knife</li> <li>• Spanner &amp; Socket</li> <li>• Tape measure</li> <li>• Holesaw</li> <li>• Filing tool</li> </ul>	<ul style="list-style-type: none"> <li>• Soapy water solution</li> <li>• Allen Key set</li> <li>• Screw driver</li> <li>• Rust Inhibitor</li> <li>• Trim Removal Tool</li> </ul>		

**PERSONAL PROTECTIVE EQUIPMENT:**



Rubber Gloves




Goggles

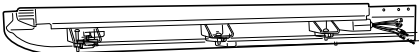


Hearing Protection

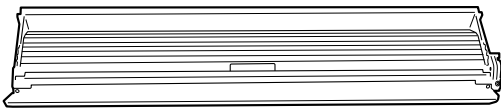
# BOX CONTENTS

**LEFT & RIGHT SIDE RAIL**


S2.5-DC-AE-002ps-P43 

S2.5-DC-AE-003ds-P43 

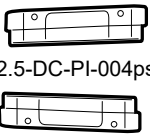




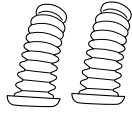
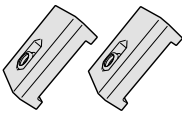
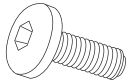
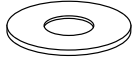

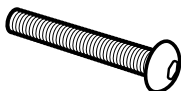

**CANISTER ASSEMBLY**



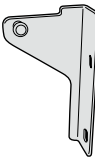
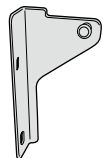
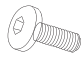

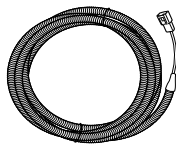

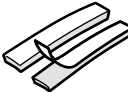
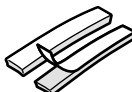

S3-DC-AF-P4R\_B4R-001/002

**CANISTER TOP COVER**  S2.5-DC-AE-005 -P



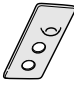








## STANDARD KIT

<p><b>COVER END CAPS</b></p>  <p>S2.5-DC-PI-004ps S2.5-DC-PI-004ds</p>	 <p><b>COUNTERSUNK SCREW Qty - 4</b></p>	 <p><b>FLAT PLATE Qty- 2</b></p>	 <p><b>CABLE TIE Qty x 16</b></p>	 <p><b>BATTERY LOOM S2.75</b></p>	 <p><b>Drainage pipe Qty - 2</b></p>
 <p><b>SIDERRAIL CLAMP Qty - 6</b></p>	 <p><b>M8 x 35mm Qty - 6</b></p>	 <p><b>M8 WASHER Qty - 6</b></p>	 <p><b>M8 SPRING WASHER Qty - 6</b></p>	 <p><b>M8 x 70 mm Qty - 2</b></p>	 <p><b>M8 NUT Qty - 8</b></p>

## SPECIFIC KIT P4R

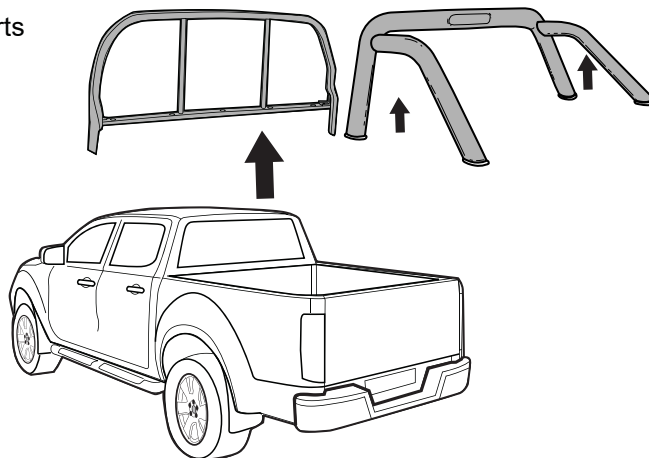
 <p><b>RBRH</b></p>	 <p><b>RBLH</b></p>	 <p><b>M6 x 20 ALLEN Head Bolt Qty - 2</b></p>	 <p><b>M8 x 20 ALLEN Head Bolt Qty - 4</b></p>	 <p><b>CL-LOOM-SHORT</b></p>	 <p><b>P-PATCH-K</b></p>
 <p><b>50449 D-SPONGE Qty-2</b></p>	 <p><b>TAPE Qty -4</b></p>	 <p><b>Foam seal Qty - 1.7m</b></p>			

## SPORTS BAR KIT P43R

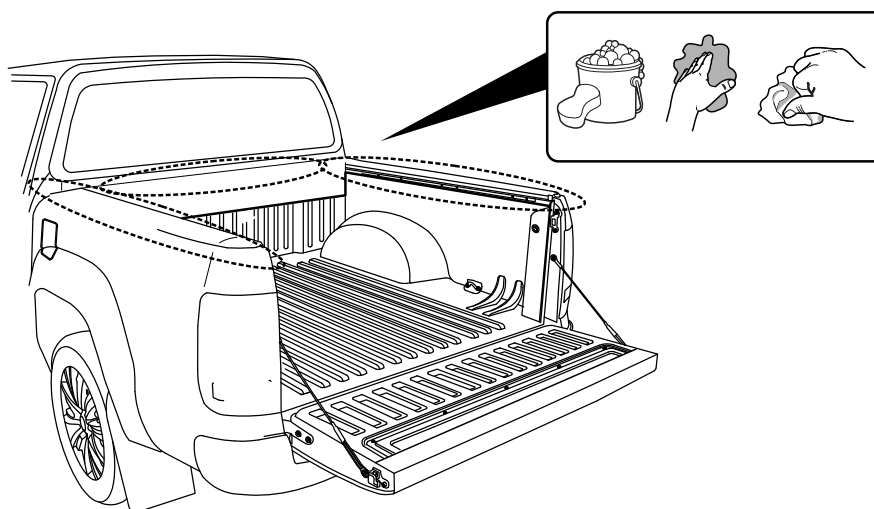
 <p><b>P4-3 BRACKET Qty-2</b></p>	 <p><b>P2 BRACKET-S Qty- 2</b></p>	 <p><b>3 HOLE PLATE Qty- 2</b></p>	 <p><b>M8 FLAT WASHER LARGE Qty - 2</b></p>	 <p><b>M8 NYLOC NUT Qty -4</b></p>	 <p><b>M8 FLAT WASHER SMALL Qty - 2</b></p>
 <p><b>COUNTERSUNK M8-1.25 x 16mm Qty - 4</b></p>	 <p><b>3M PRIMER</b></p>	 <p><b>SIDERRAIL REAR HOLE GASKET Qty -3</b></p>	 <p><b>SIDERRAIL FRONT LH HOLE GASKET Qty - 1</b></p>	 <p><b>SPORTSBAR FRONT LH &amp; RH GASKETS</b></p>	

## TUB PREPARATION

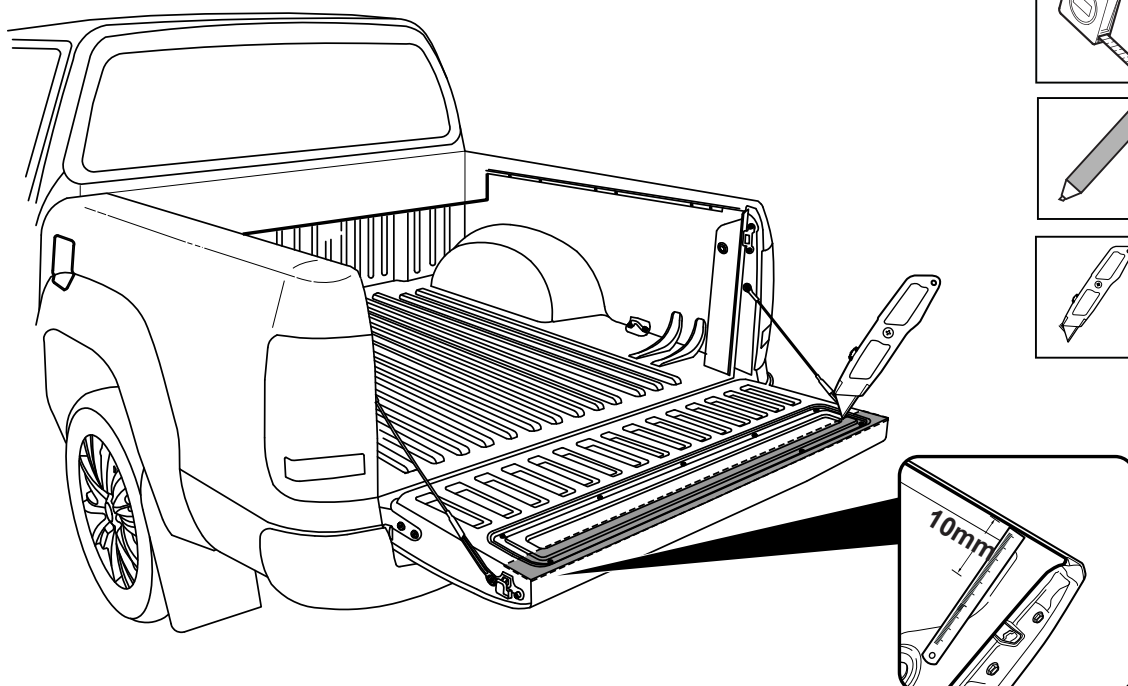
If the Vehicle is fitted with a cabin guard or sports styling bar, remove from Ute Tub (truck bed).



Clean area as indicated.



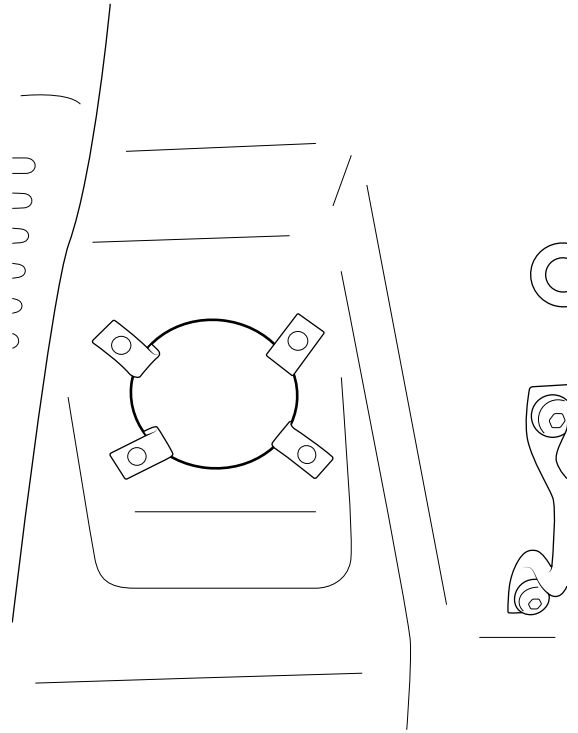
Measure 10mm down from top of tailgate and trim tailgate liner.



**Remove 12V unit by unfastening the factory screw, and unplug from loom.**

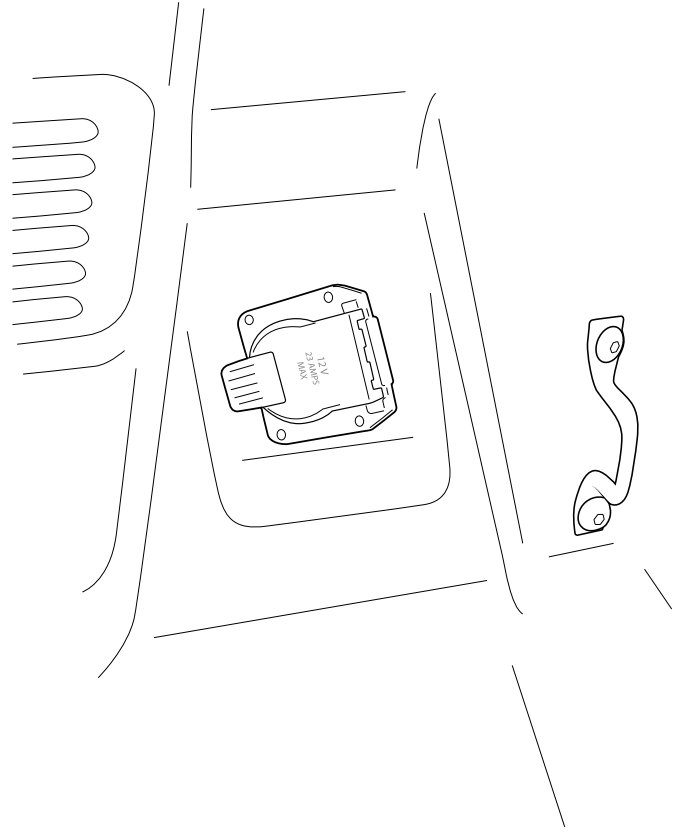
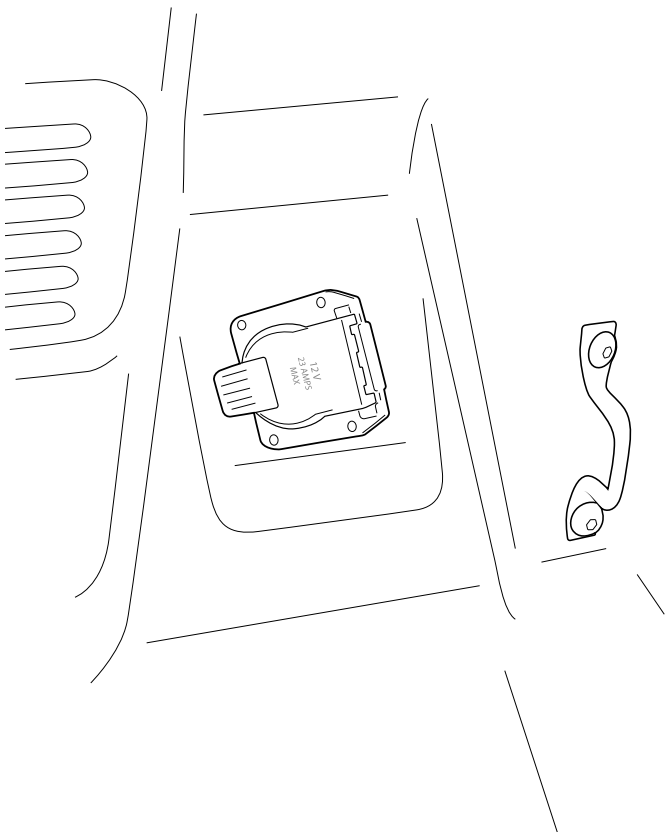


**Remove thread clips and retain.**

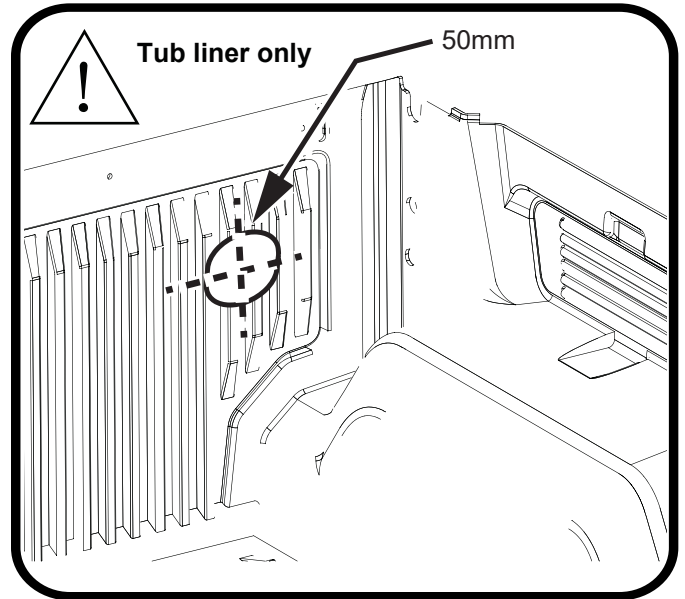
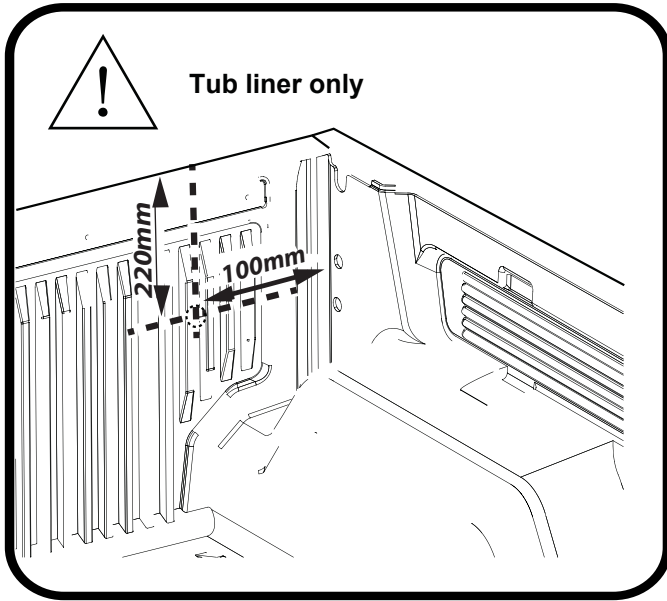
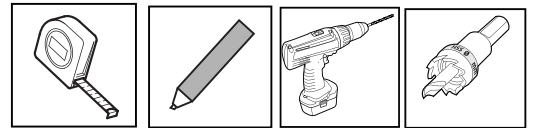


- 1. Rotate 12V unit as indicated and move unit all the way down.**
- 2. Mark and drill all screw points.**

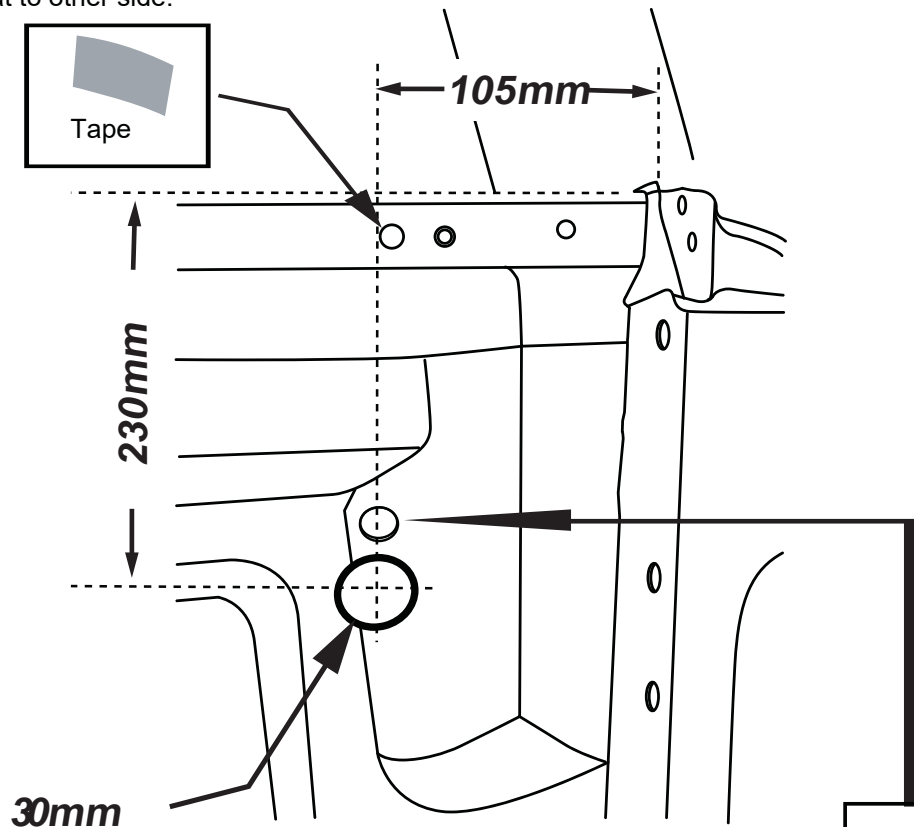
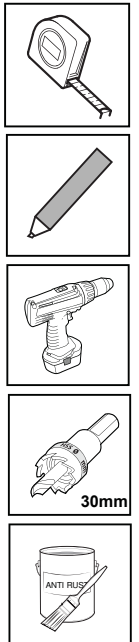
**Fasten into position using factory screw and screw clips.**



Measure down from top of headboard 220mm & 100mm from inside wall of bed liner as shown. Repeat to the other side.  
Using a 50mm hole-saw drill the liner only as indicated.



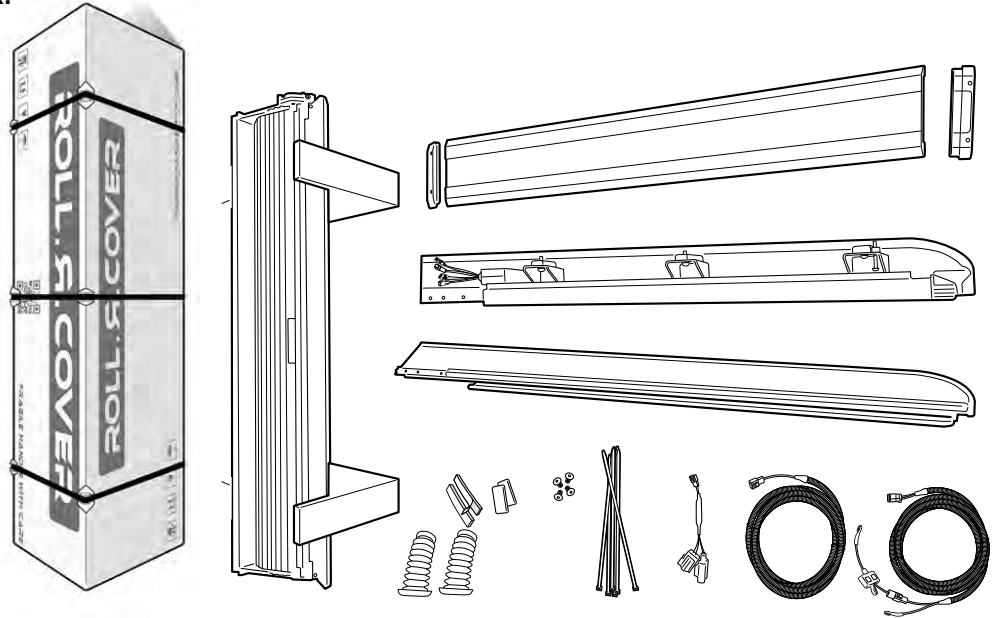
Measure down from top of headboard 230mm & 105mm from inside wall of bed as shown. Repeat to the other side.  
Using a 30mm hole-saw drill through tub front panel, file away any sharp edges. Apply anti rust coating. Repeat to other side.



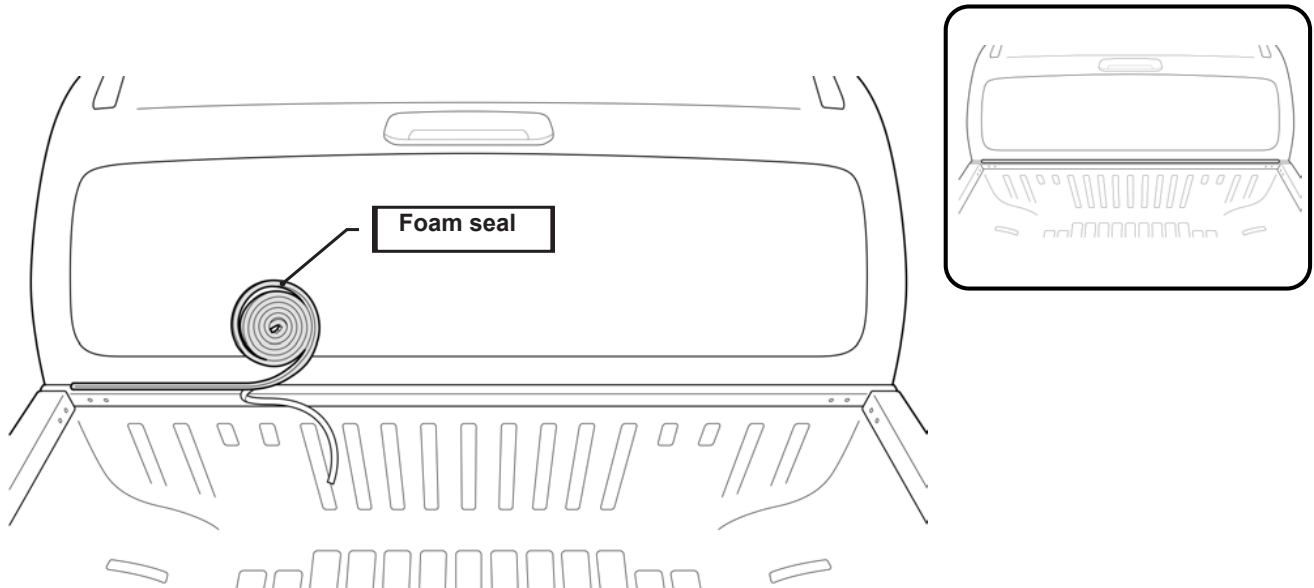
**ATTENTION:** Do not exceed 30mm hole.

Apply tape provided to seal factory hole. Repeat to other side.

Carefully unpack the box.



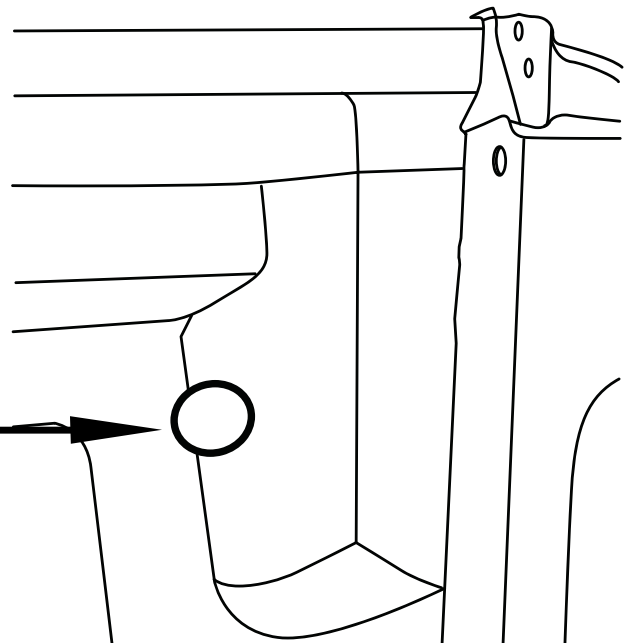
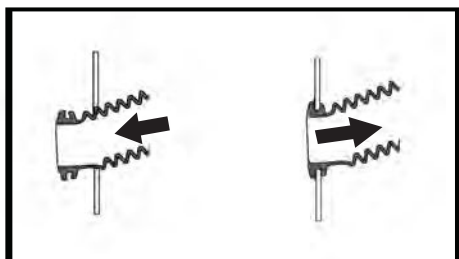
Run foam seal provided along the front ( inside edge towards tailgate ) of the tub to make head-rail level with sides.



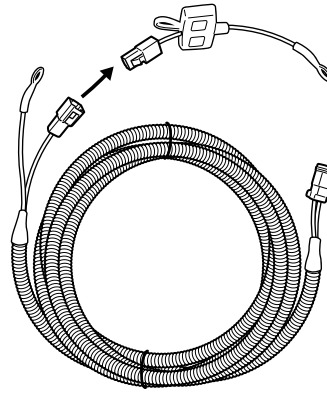
Install front drain pipes ( 55mm diameter end of hose ) through pre-drilled holes on the front tub panel.



Note: With care push tube in.  
Taking care pull the tube back so it seals correctly against the front panel of the tub.

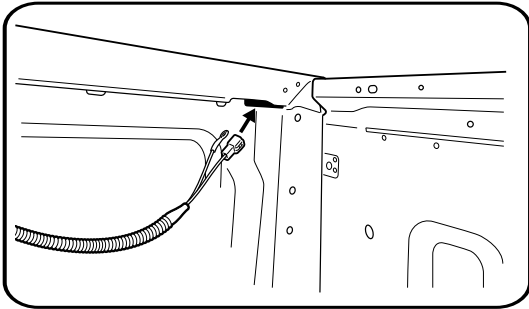


Disconnect fuse patch from battery loom S2.75.

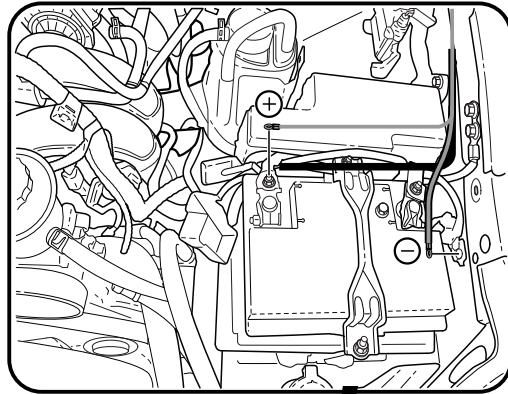


### Wiring Harness steps

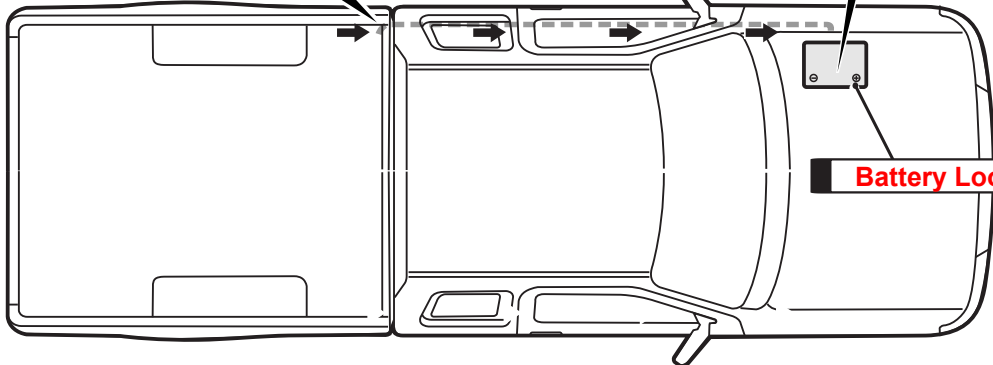
**1** Feed Battery Loom S2.75 through the cavity



**3**

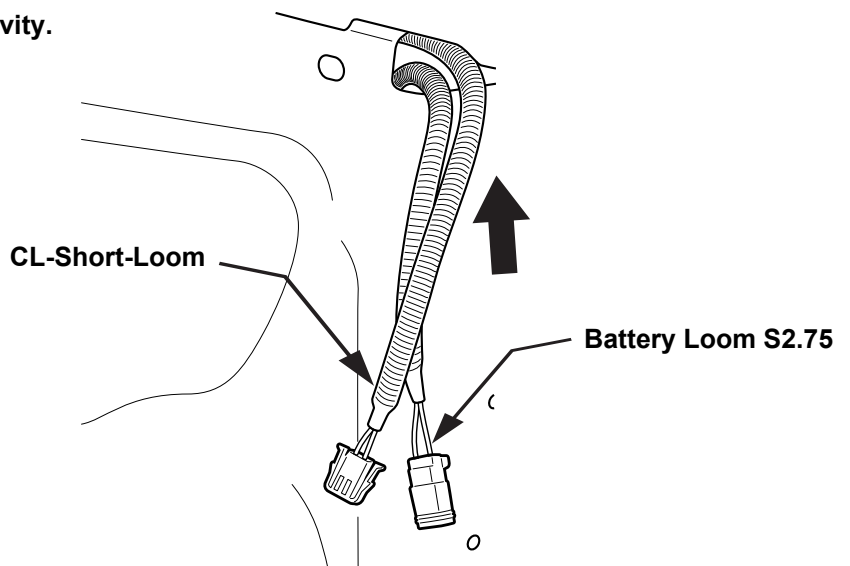


**2**

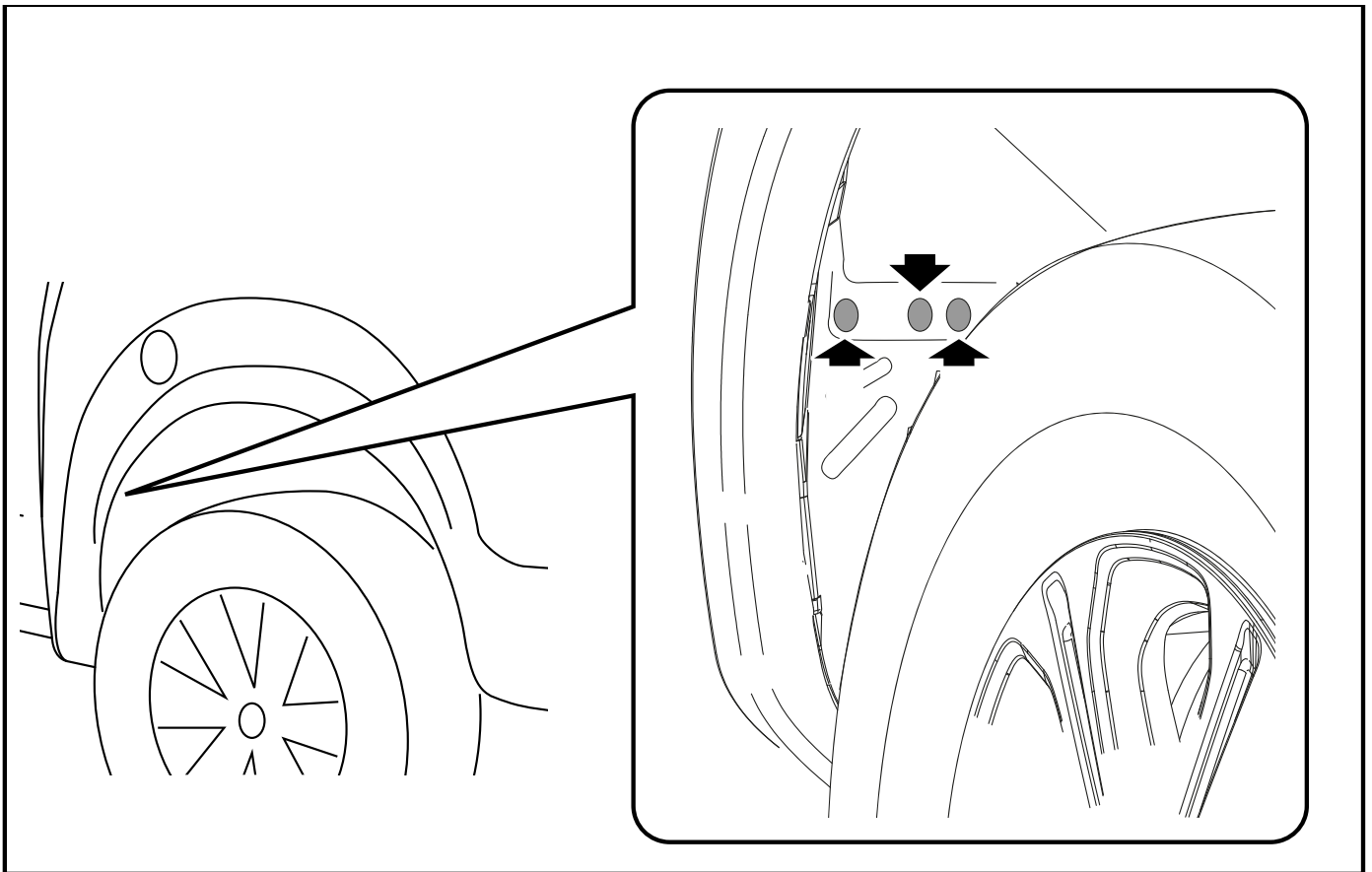


Run the wiring from the front corner cavity ( leaving 200mm in the tub) to the battery over the chassis rail. Making sure to keep away from hot obstructions and cable tie every 400mm. Reconnect fuse patch to battery loom S2.75, now attach fuse patch to positive of battery and earth to the body of the Ute.

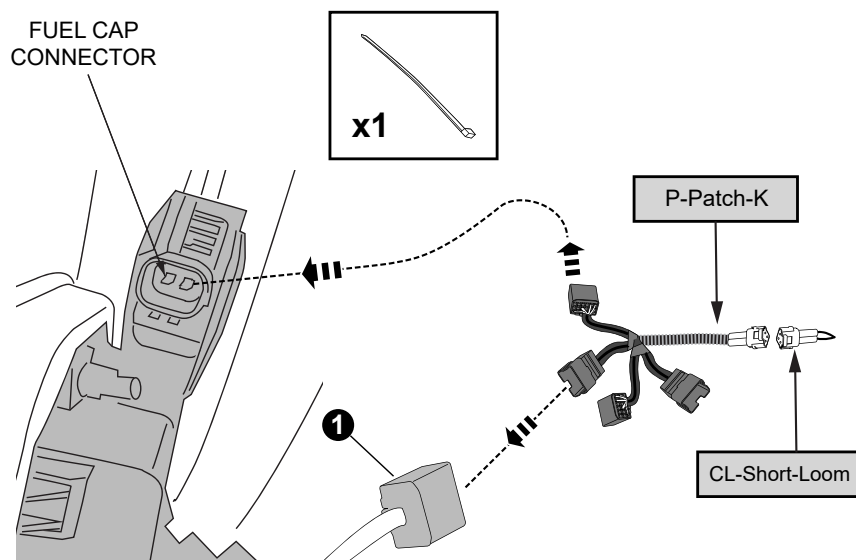
Feed CL-Short-Loom through the cavity.



Remove required clips to gain access to wheel arch inner.



Disconnect the fuel flap connector . Patch the shorter (two grey connectors) between the two fuel flap connectors using P-Patch-K. Use one zip tie to secure the harness to the existing harness.



Now connect CL-Short-Loom to P-Patch-K. Zip tie any loose loom within wheel arch.

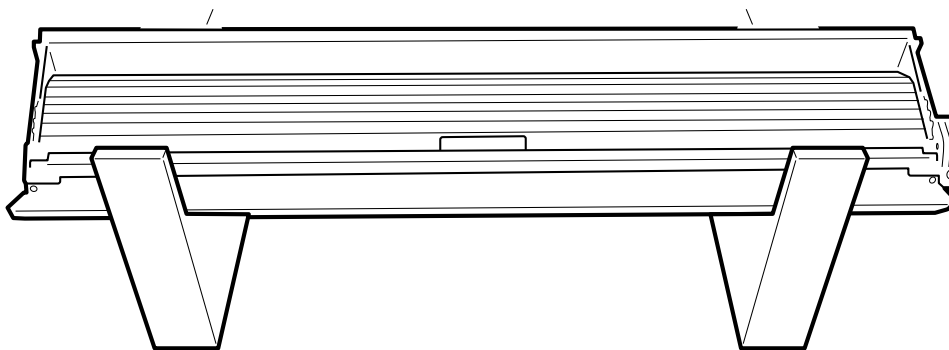
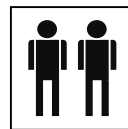


**NOTE: P-Patch-K has 2 variants connectors, one is to suit the Ranger Raptor, the other is to suit the standard Ford Ranger T6. The un-used plugs can be connected to each other.**

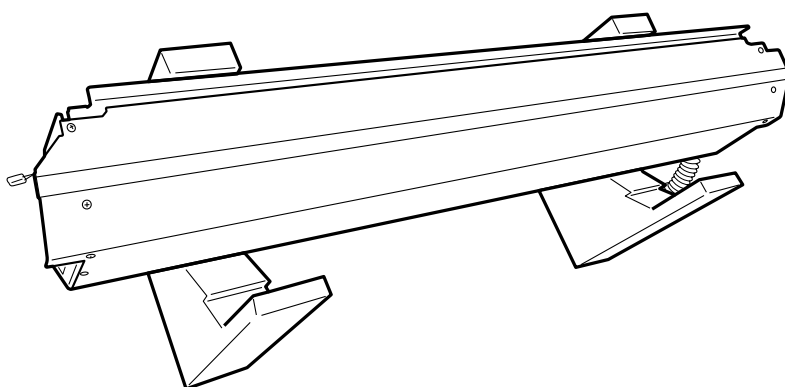
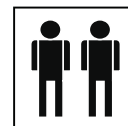




keep the cannister in the foam blocks from the packaging for assembly.

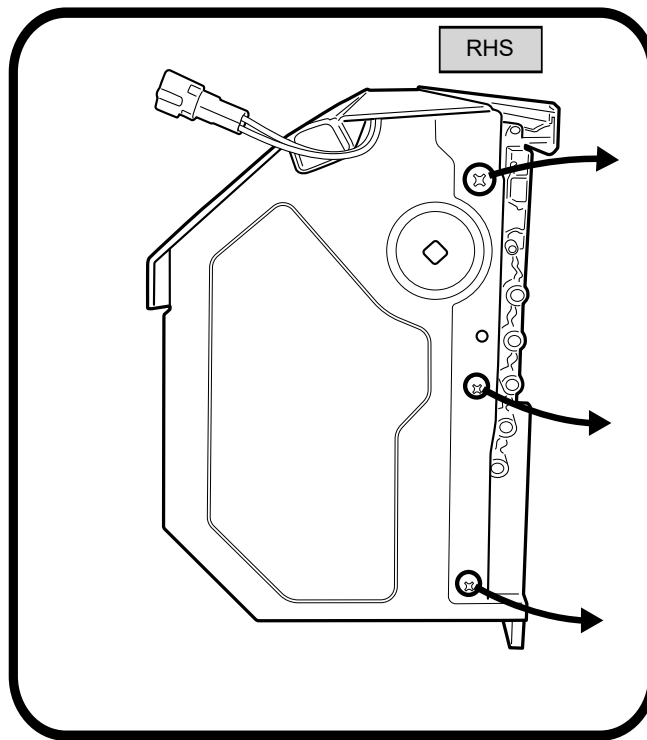
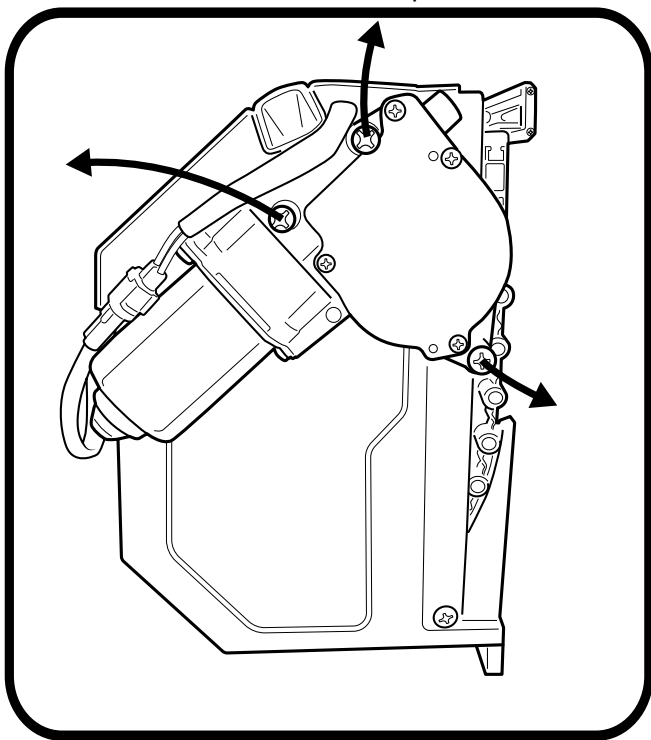
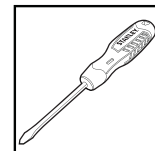


With assistance turn the canister on its back on the foam blocks.

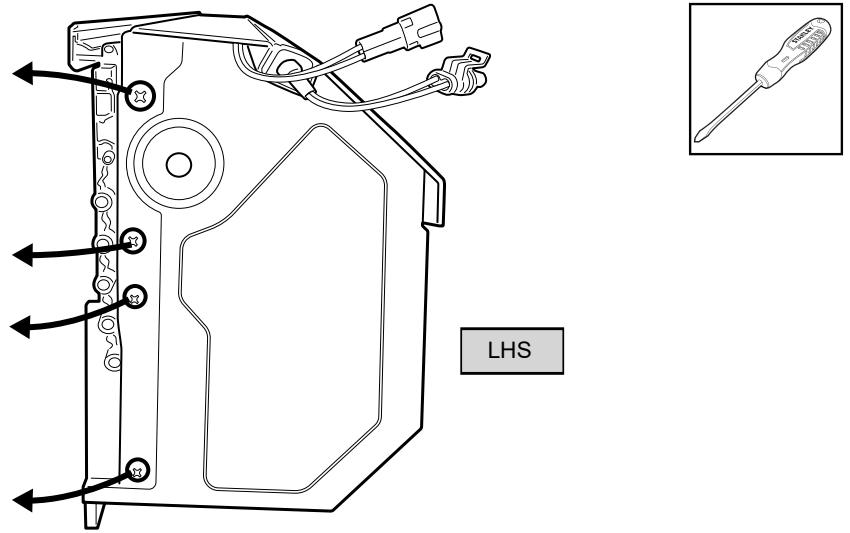


Disengage motor from the axle by unfastening the 3 Screw as indicated. Retain all parts.

Remove and retain the 3 screw from the canister as indicated.

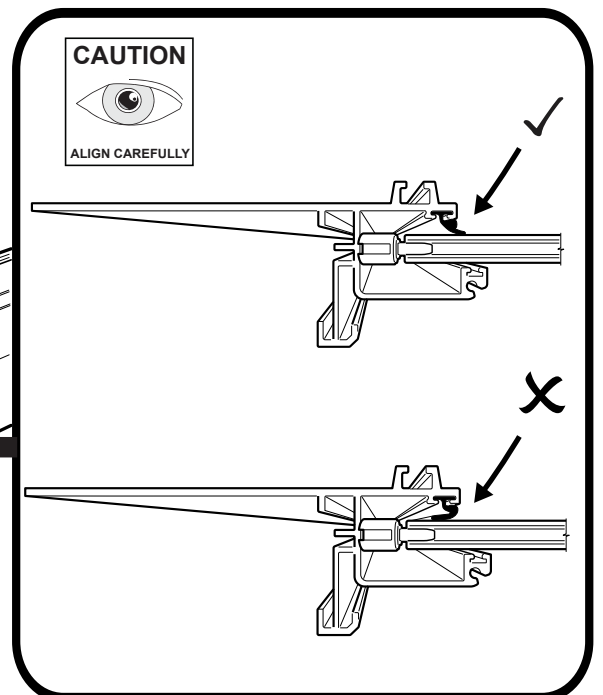
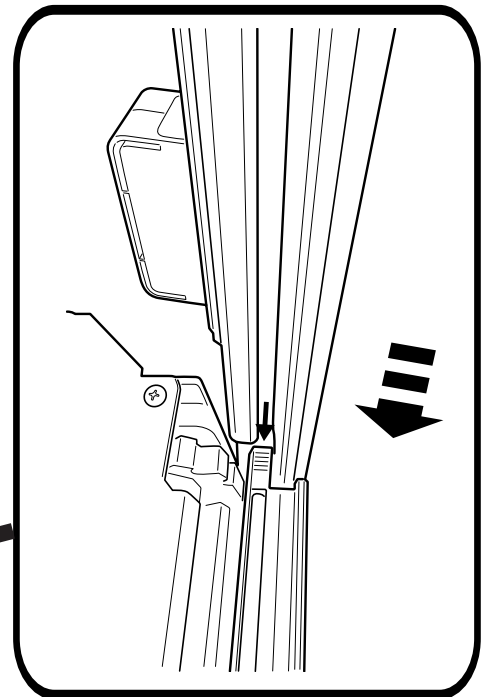
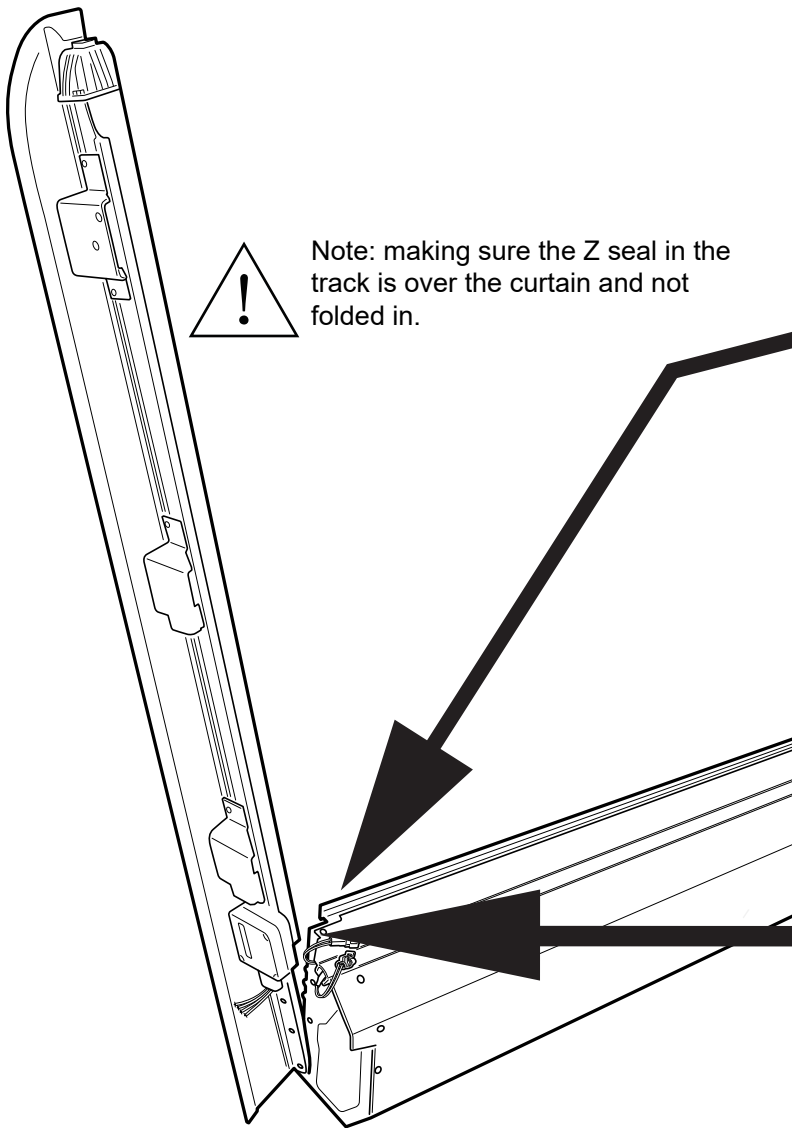


Now on the other side, remove and retain the 4 screws from the canister as indicated.

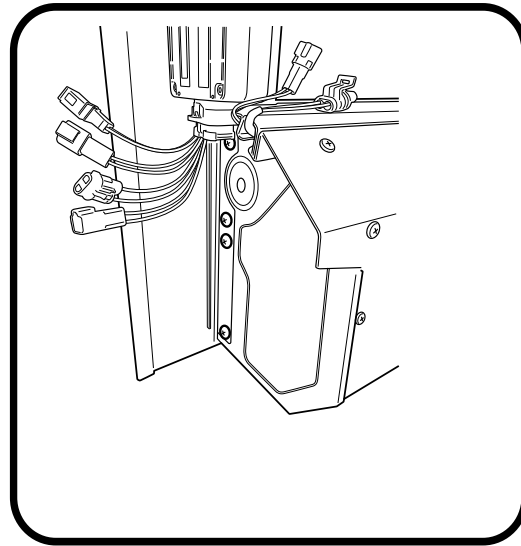
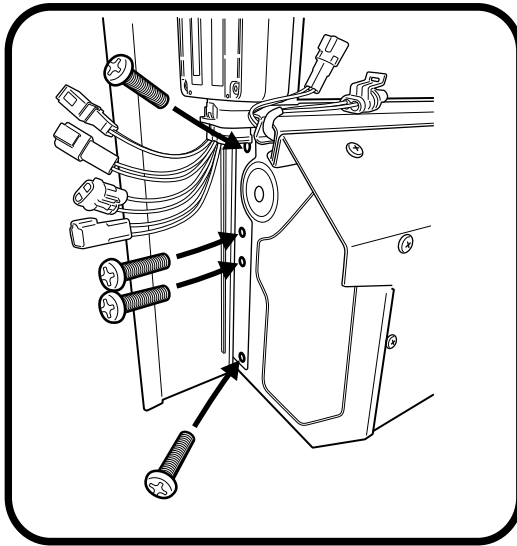
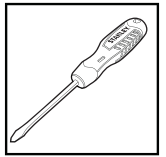


Align side rail to side of canister, guide the track to go in between the curtain end rubber stop.

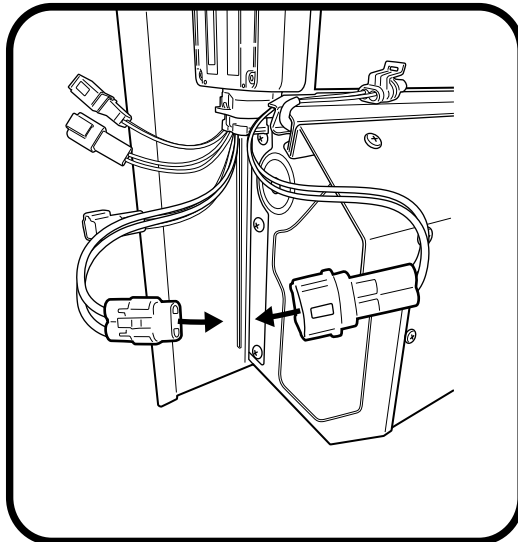
NOTE: LHS side rail to be assembled first.



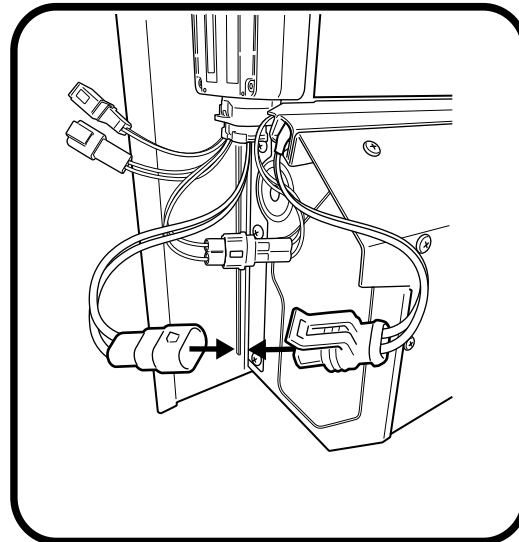
Fasten the side rail using the retained screws, spring washer and washer.



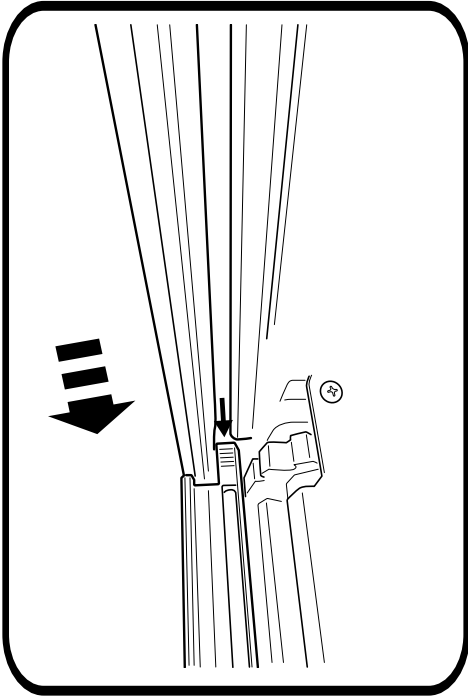
Connect motor connector to receiver



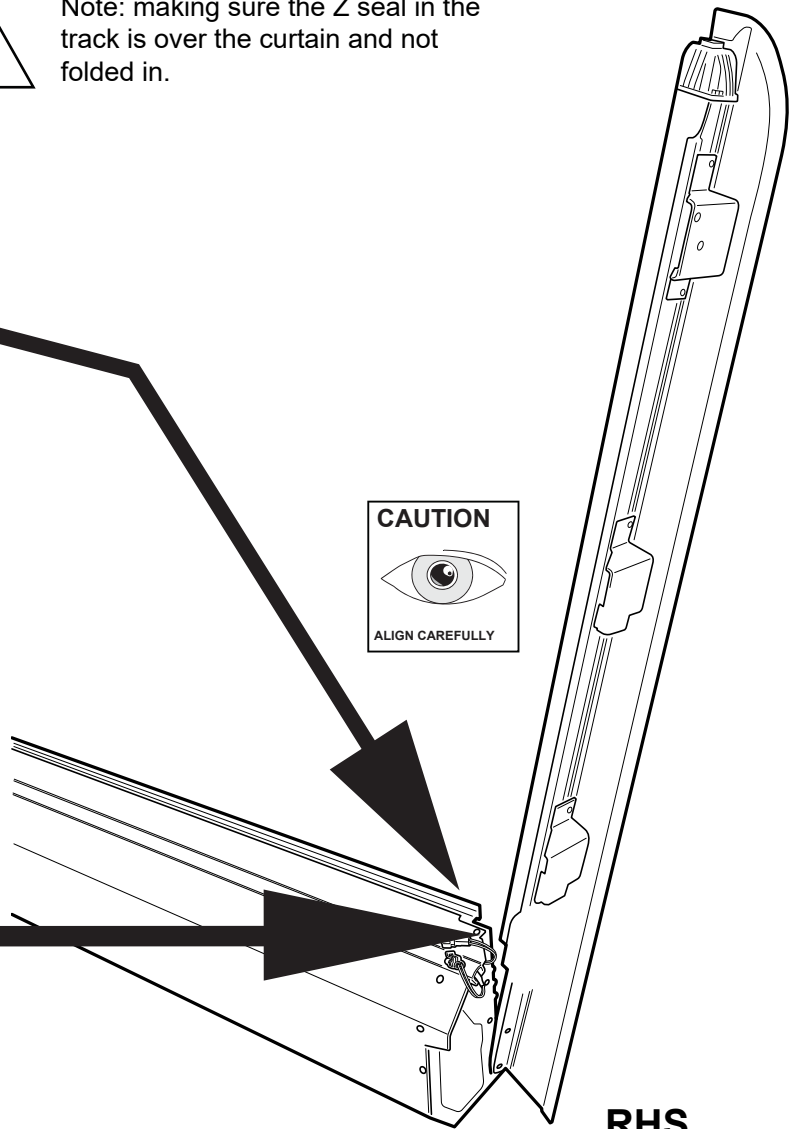
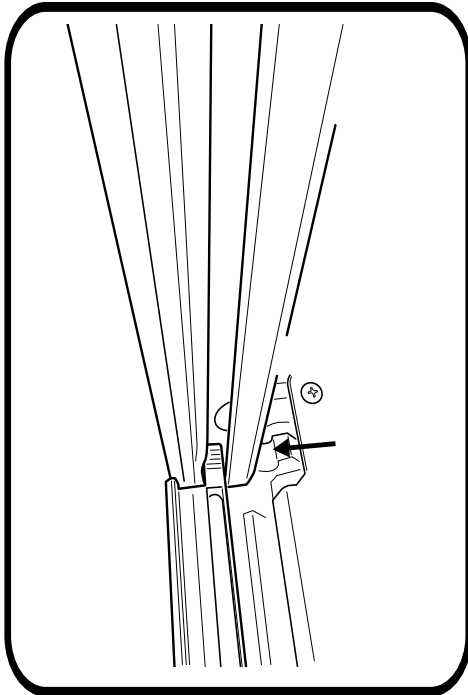
Connect LED Loom to receiver



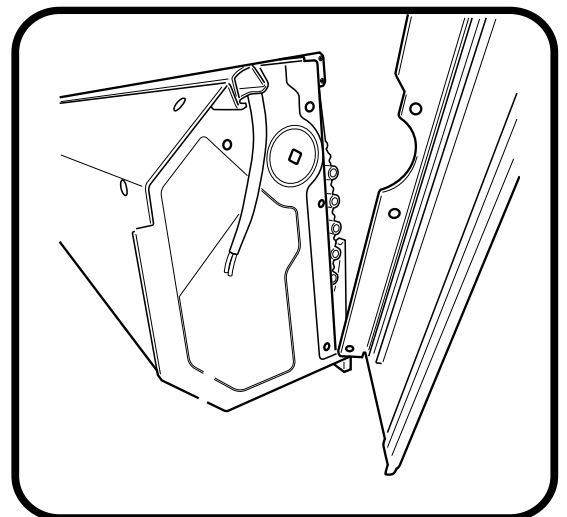
Align side rail to side of canister, guide the track to go in between the curtain end robber stop.



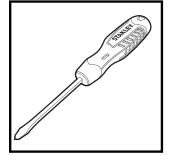
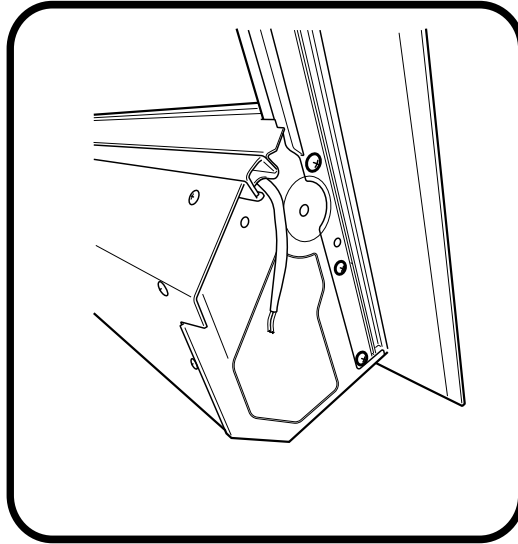
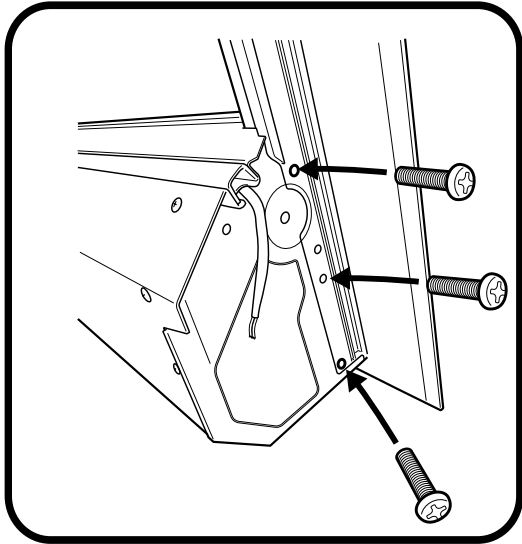
Note: making sure the Z seal in the track is over the curtain and not folded in.



RHS

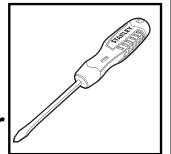
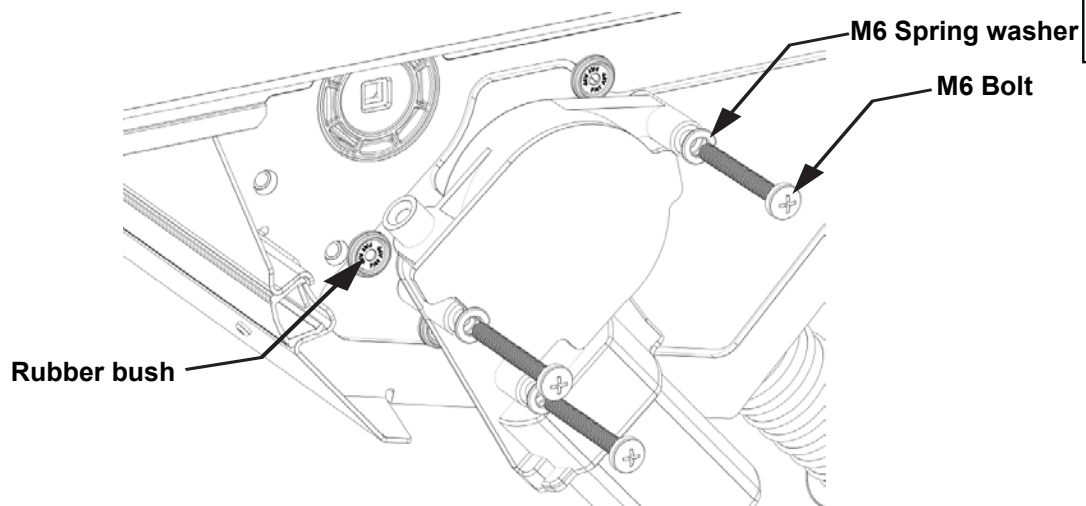


Fasten the side rail using the retained screws, spring washer and washer, only to the locations indicated.



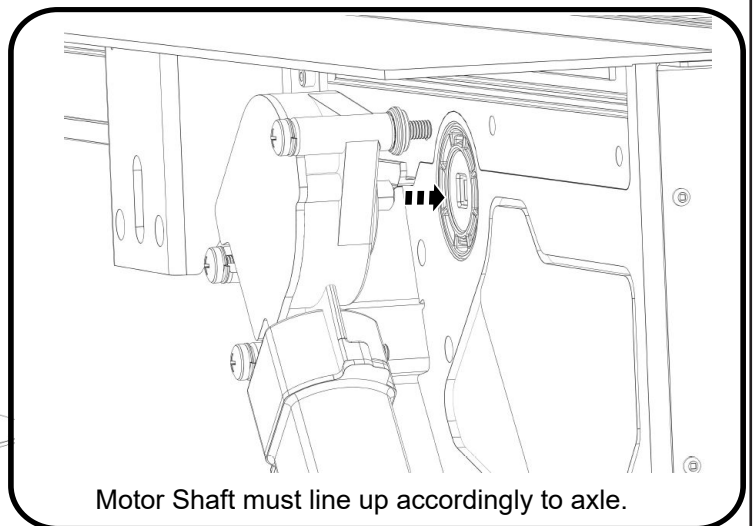
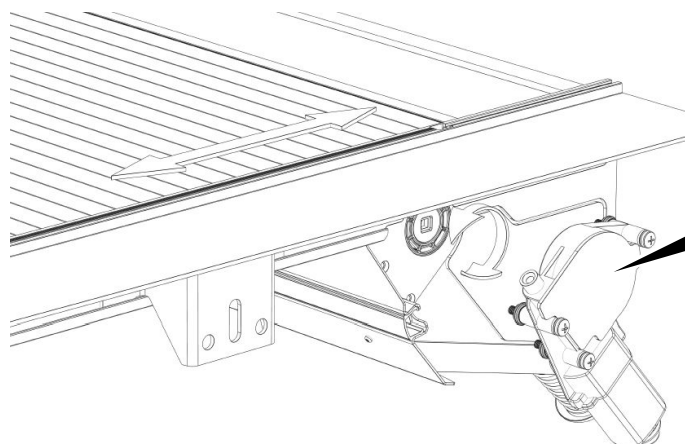
Feed M6 bolt through spring washer, motor and rubber bush.

**NOTE:** Rubber bush orientation has to be as per image. ( side with text on rubber, to face the motor).

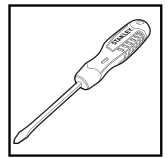
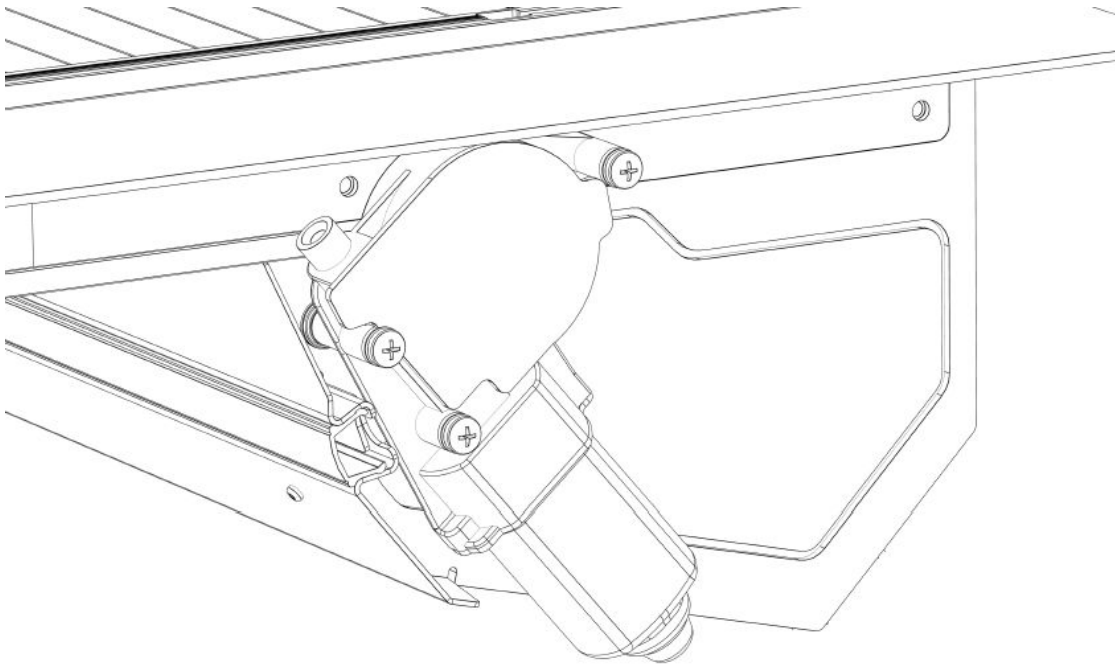


Align & insert motor shaft to axle.

**NOTE:** Pull / push curtain for axle to rotate.



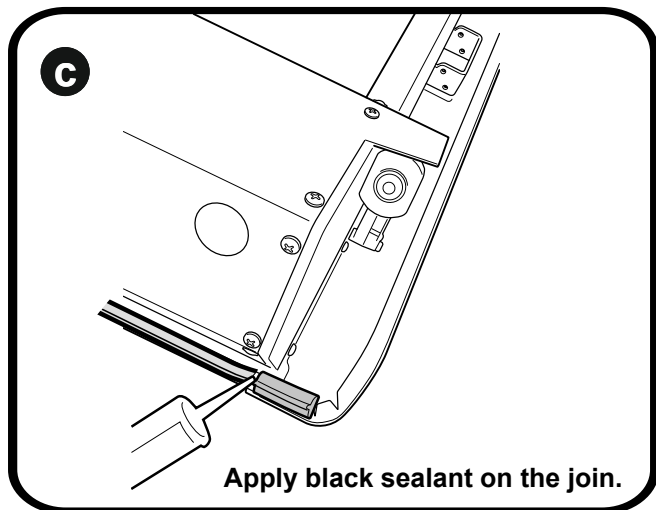
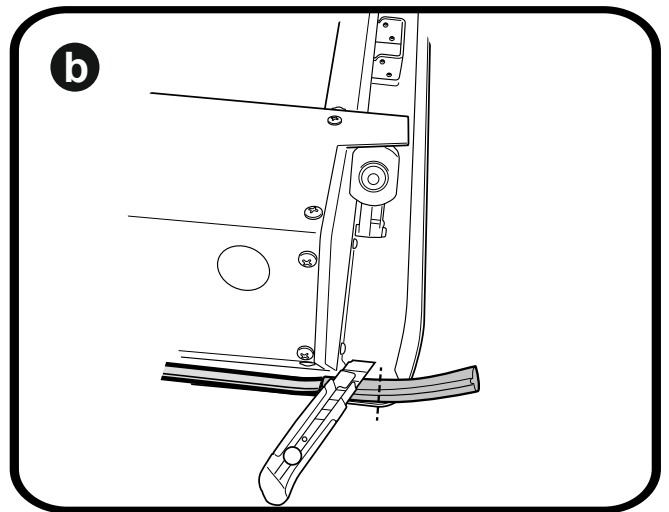
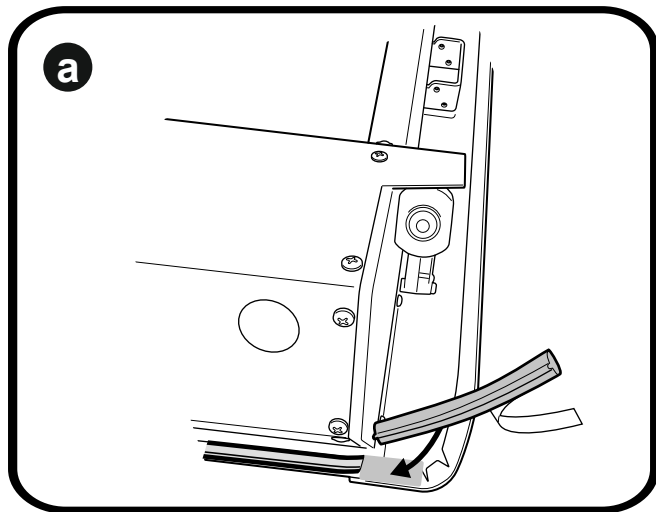
Fasten all 3 screws to 2nm torque. Over tensioning will cause operating issue's.



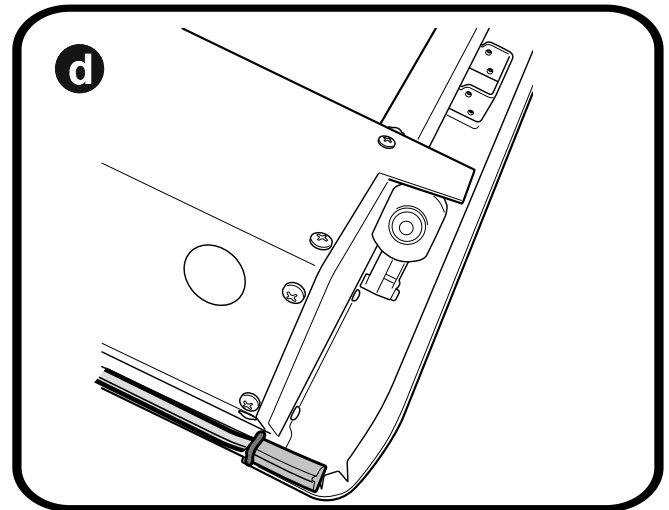
**Motor is to sit level.**

Any obstructions between motor and canister may cause operating issues.

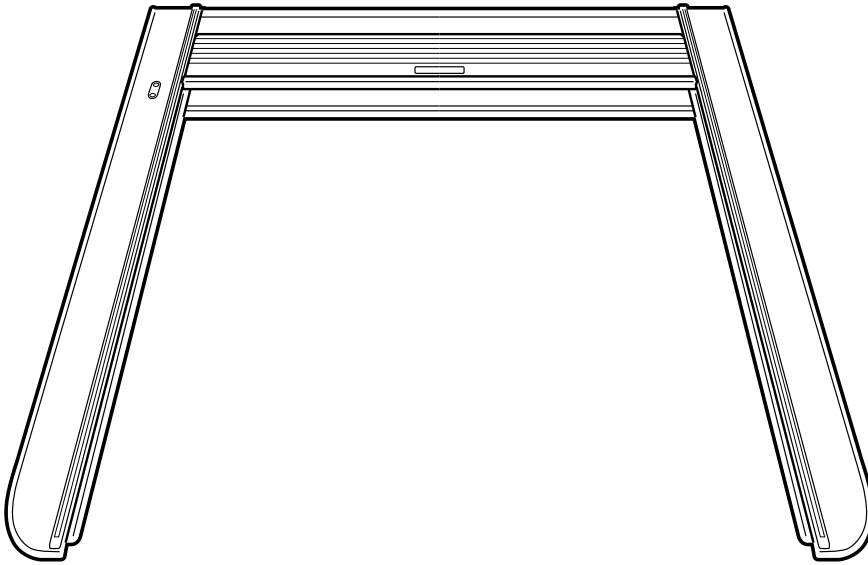
Apply D-sponge foam tape to side rail as indicated. NOTE: Join foam firmly to the per-fitted foam of the canister. Carefully trim excess off & discard as indicated. Repeat on the other side.



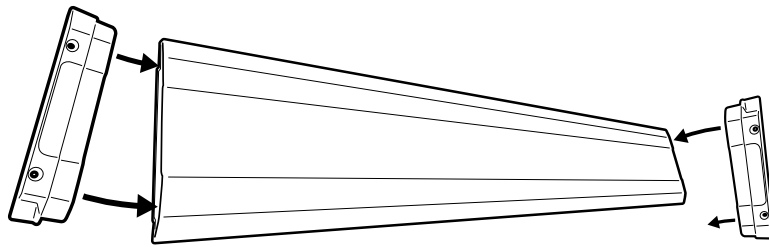
Apply black sealant on the join.



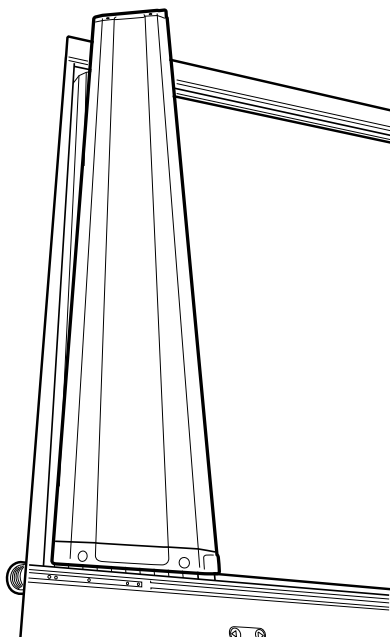
Carefully bring down the assembled unit.



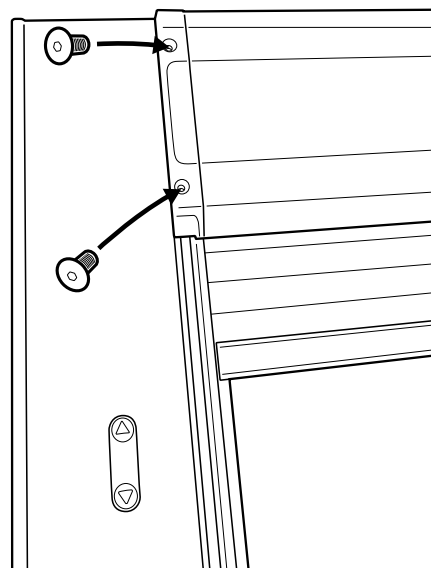
Insert side end caps to the top cover.

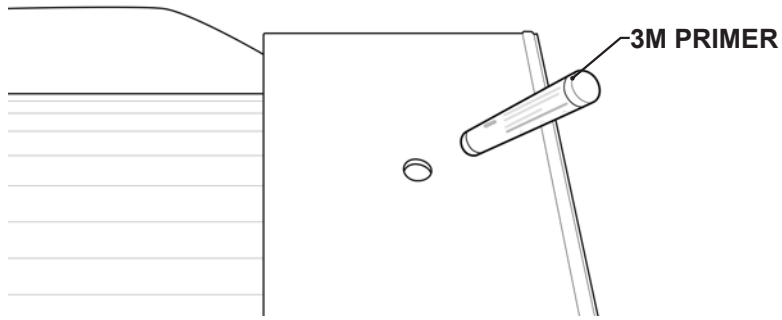


Place & Align top cover over the canister and side rails.

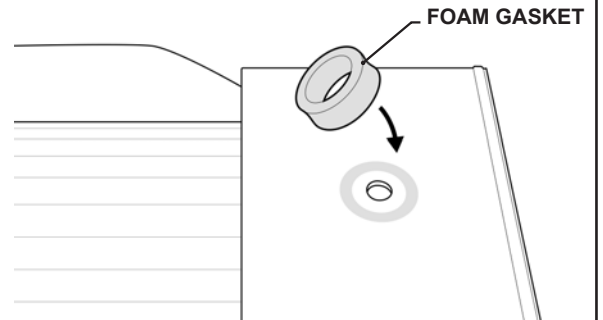


Using countersunk screws provided, line up end cap holes to the threads on the side rail. Fasten to 3nm torque. Repeat to the other side.



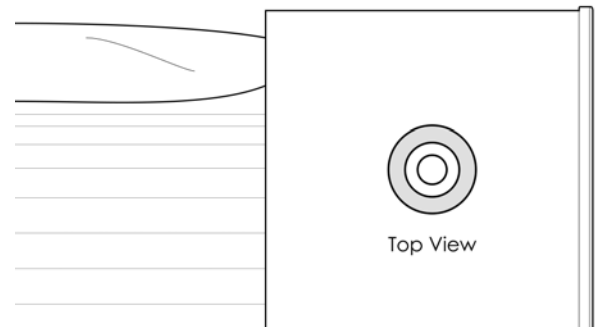
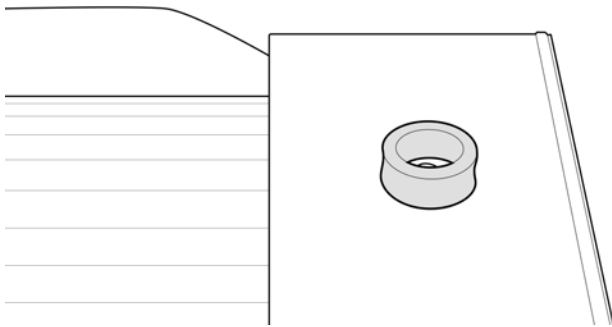


Apply 3M primer provided around side rail holes.

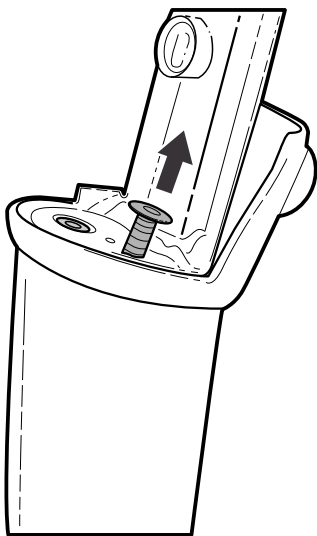


Peel away backing from foam sealant and stick to side rail. Front and rear gaskets are not identical.

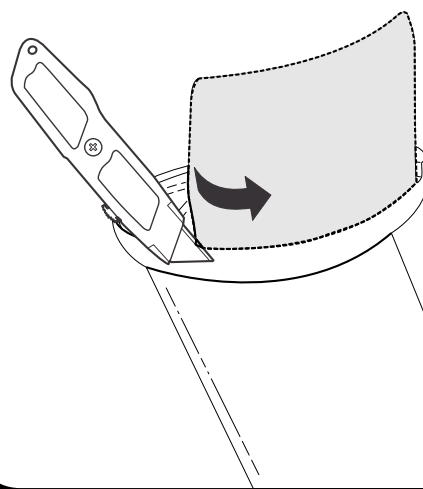
Repeat on all holes.



Remove all factory brackets from sports bars. Repeat on all four legs.

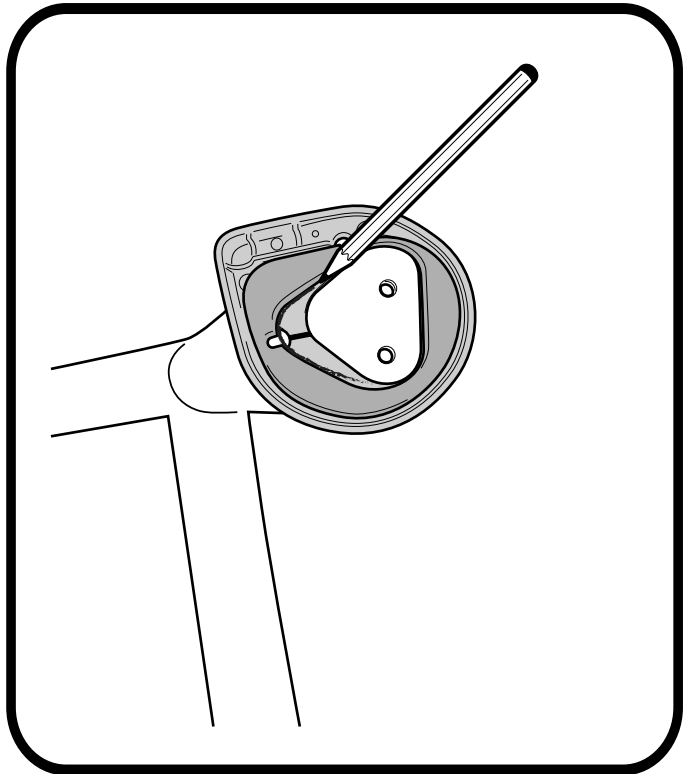
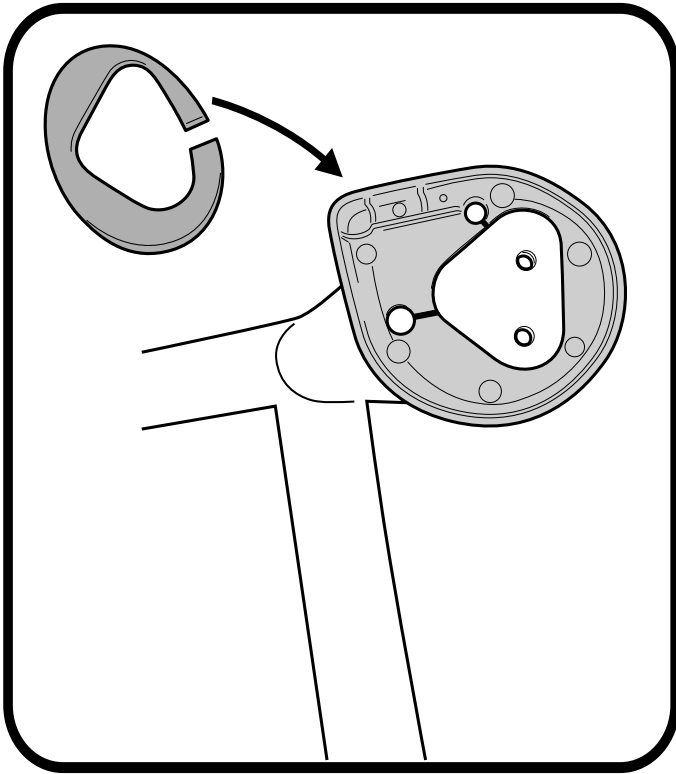


Trim rubber feet cup excess so the base is left flat. Repeat on all four legs.

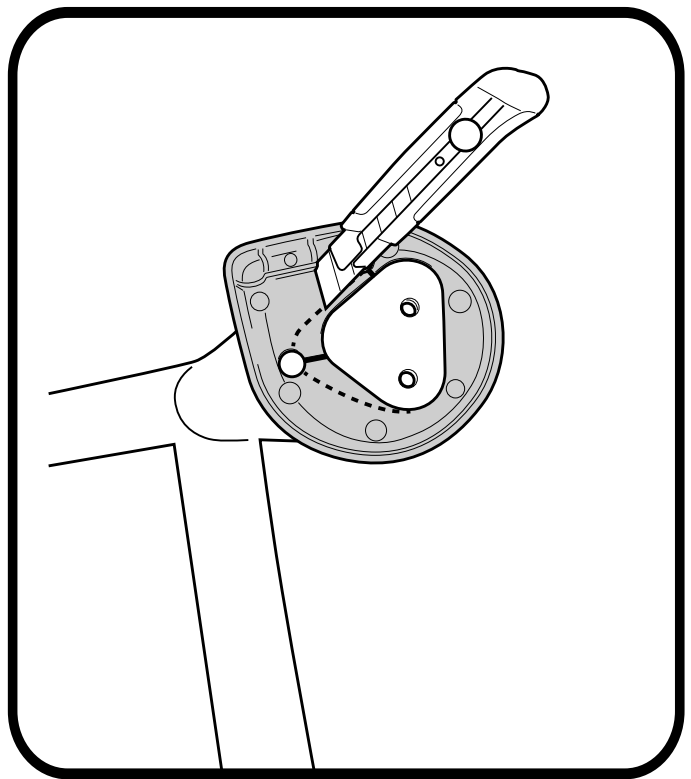
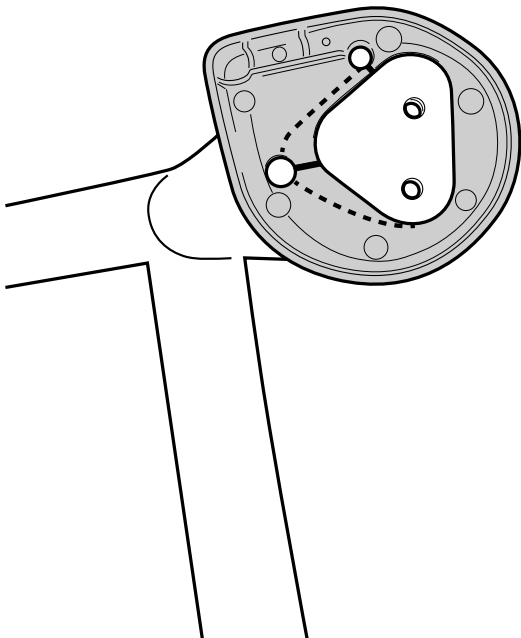




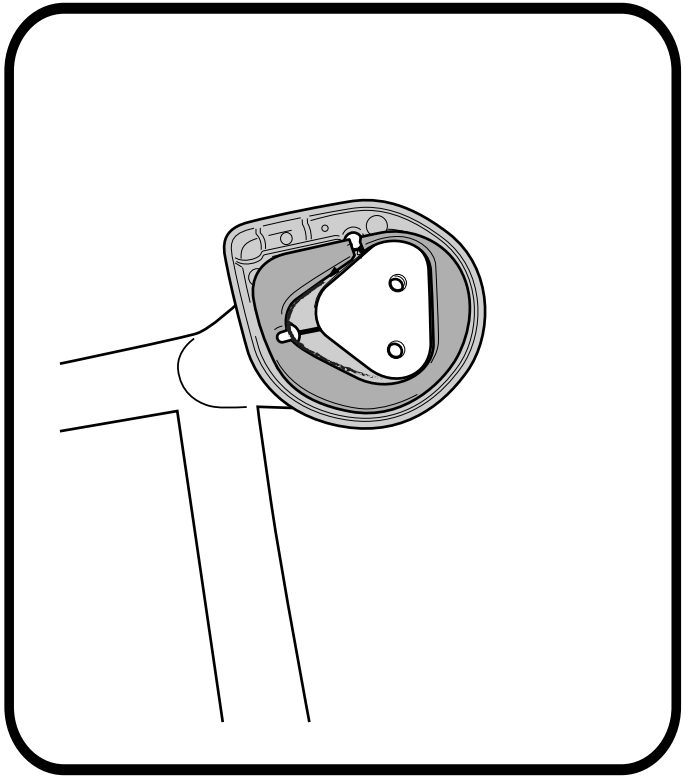
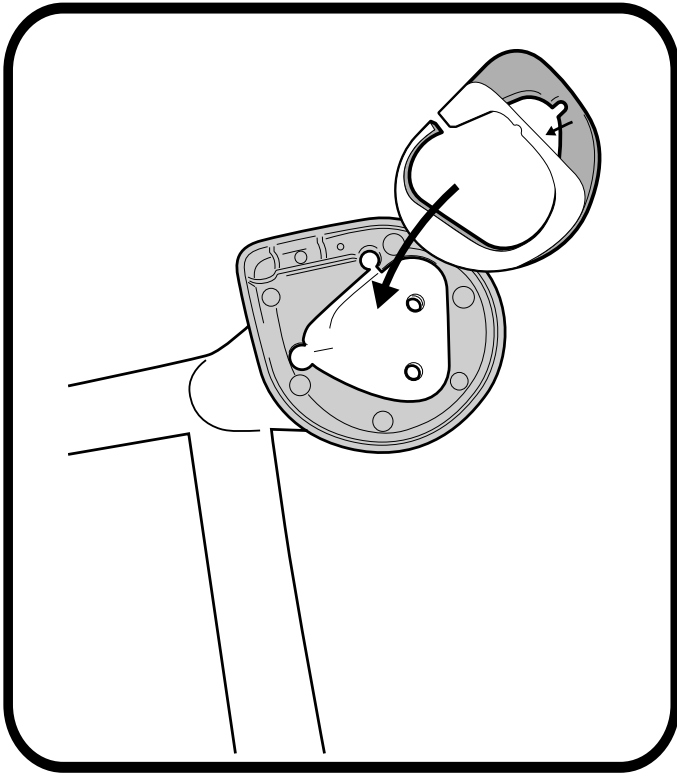
Using SPORTSBAR GASKET FRONT LH, mark out excess rubber on the inner rear sports bar leg as per image. Repeat to the other side.



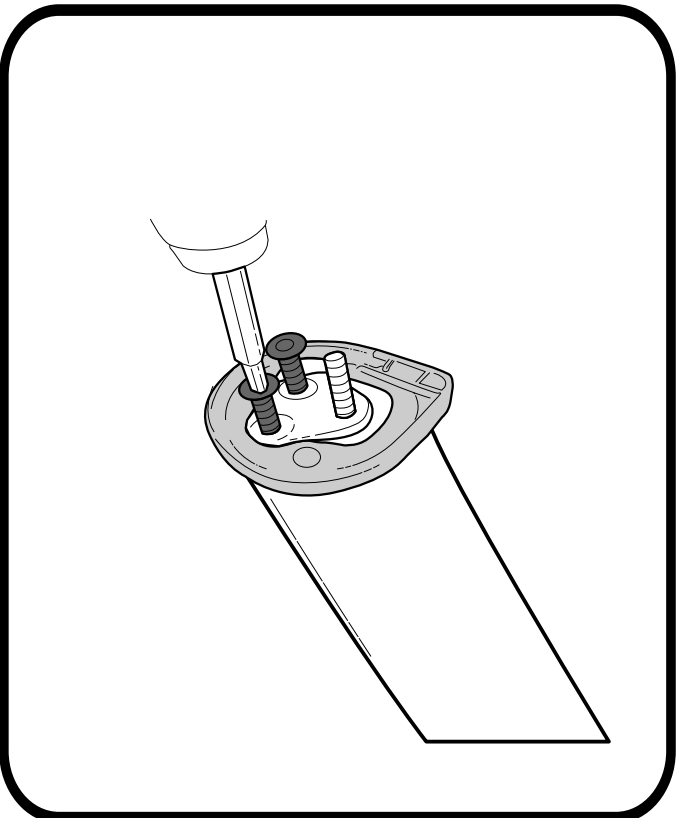
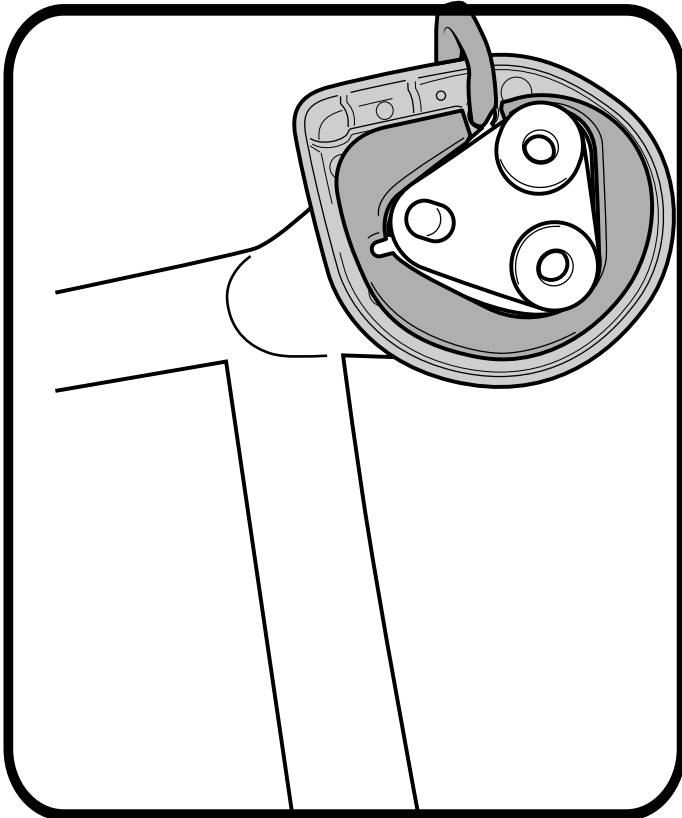
Trim and discard the excess rubber from the front leg foot cups as per image below.



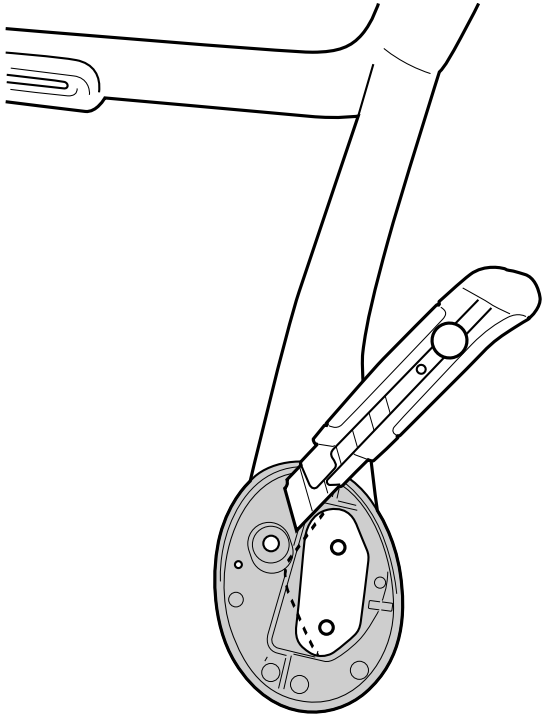
Peel backing of p42 gasket small and apply to the front feet cups as per image below.



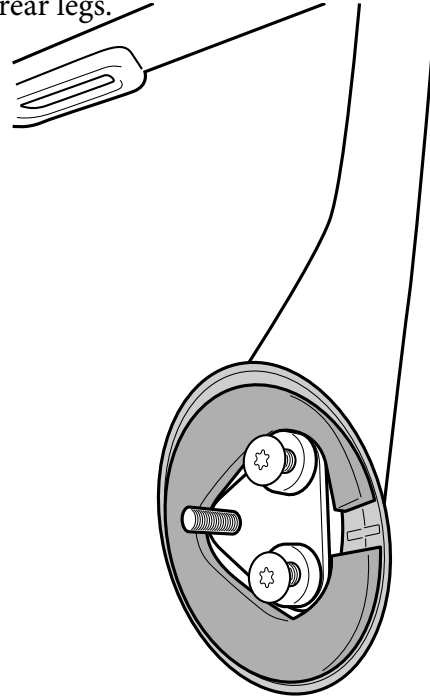
Place and fasten part number P2 ( sports bars bracket) using factory bolts to the front legs.



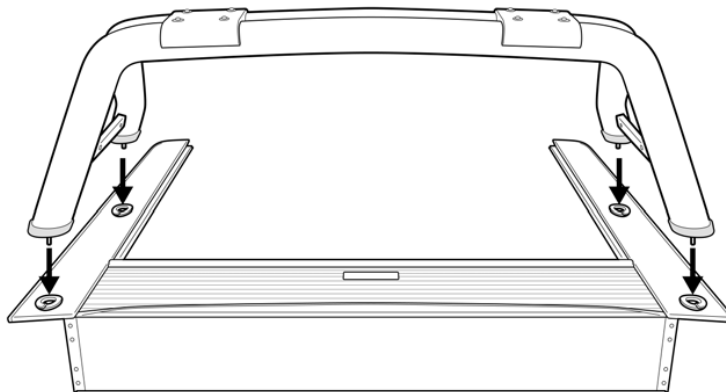
Trim and discard the excess rubber from the rear leg foot cups as per image below.



Place and fasten part number 613( P4-3 sports bars bracket) using the provided countersunk M8-1.25X16mm bolts to the rear legs.

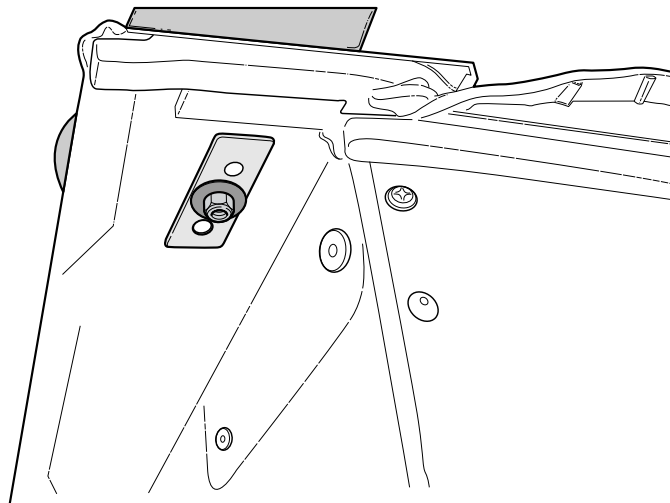


**Place Sportsbar on Roll R cover**



**Front leg of the Sportsbar.**

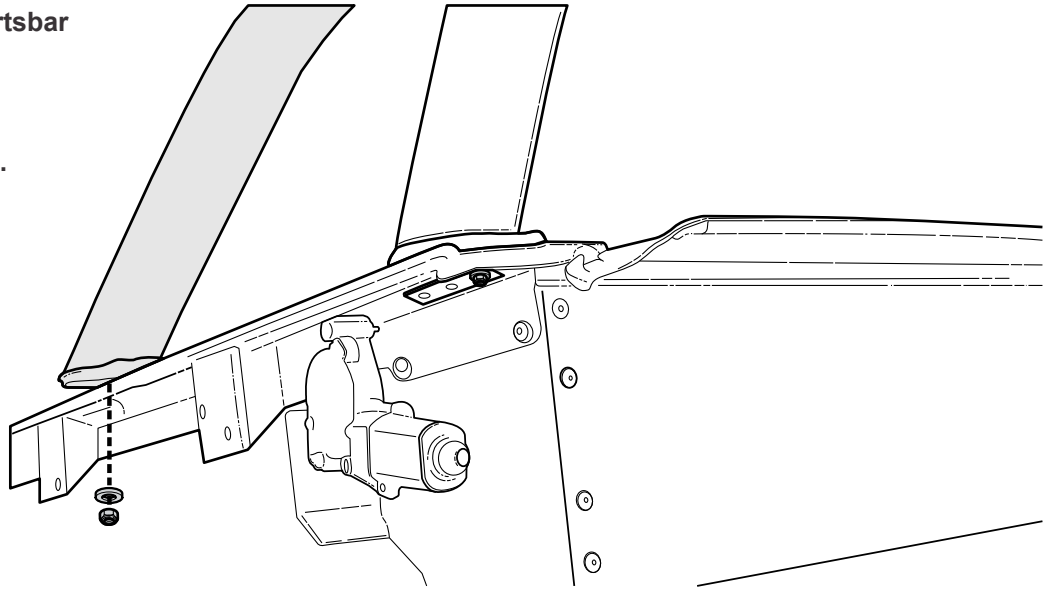
**Place flat plate through the thread, flat washer and tighten with the nylock nut provided at 6NM**



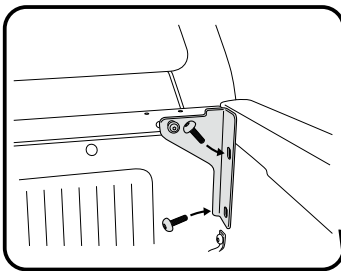
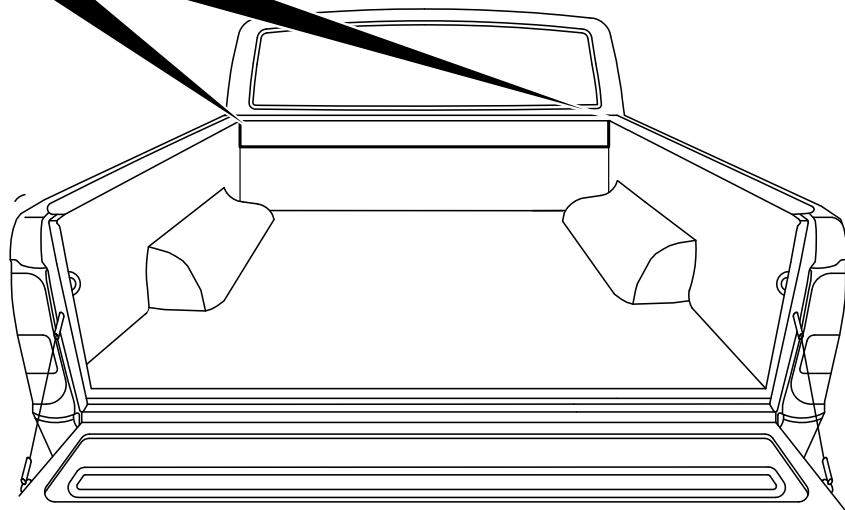
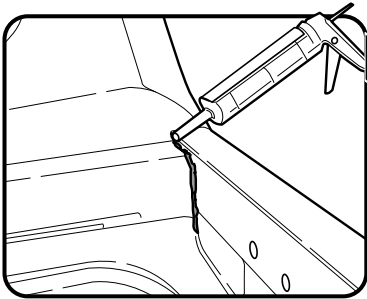
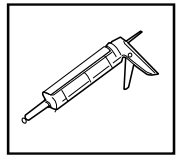
**Note - Do not overtighten**

**Rear leg of the Sportsbar**

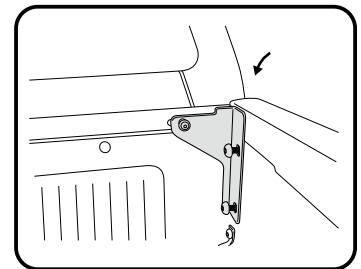
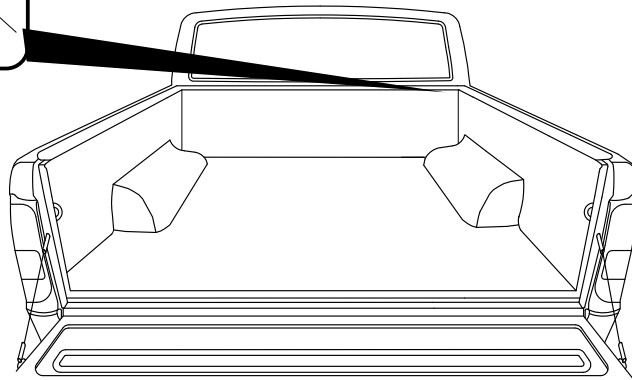
Place flat washer  
and tighten with the  
nylock nut provided.



Seal any exposed gaps or holes on the front panel of the Ute bed with sealant.



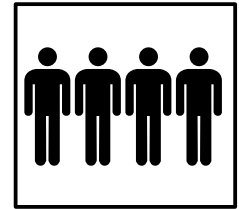
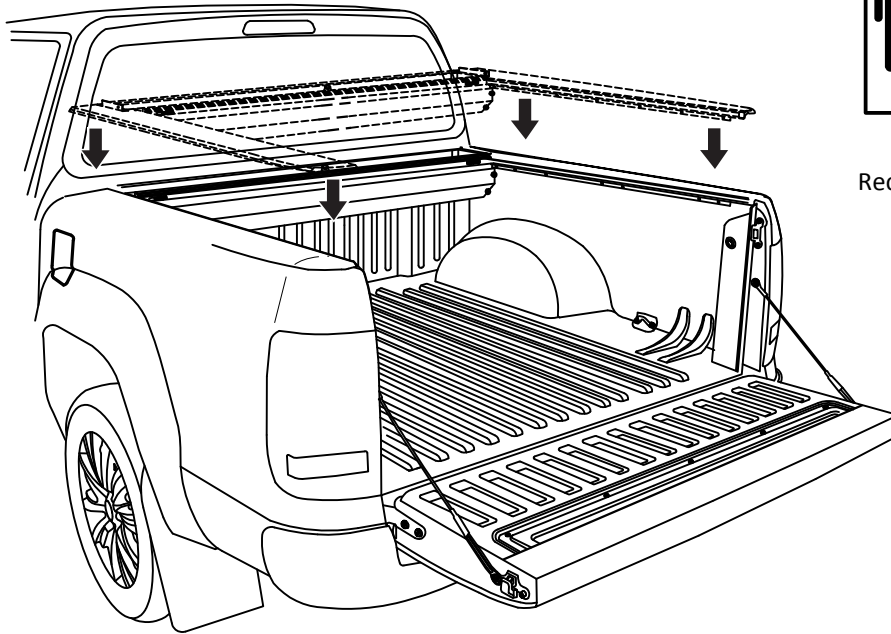
Attach the right angle  
bracket provided  
loosely with the  
retained factory bolts  
to the left and right top  
corners of the tub.



Push the brackets all  
the way down. Then  
tighten all bolts to 6nm  
to avoid the bracket  
from moving.

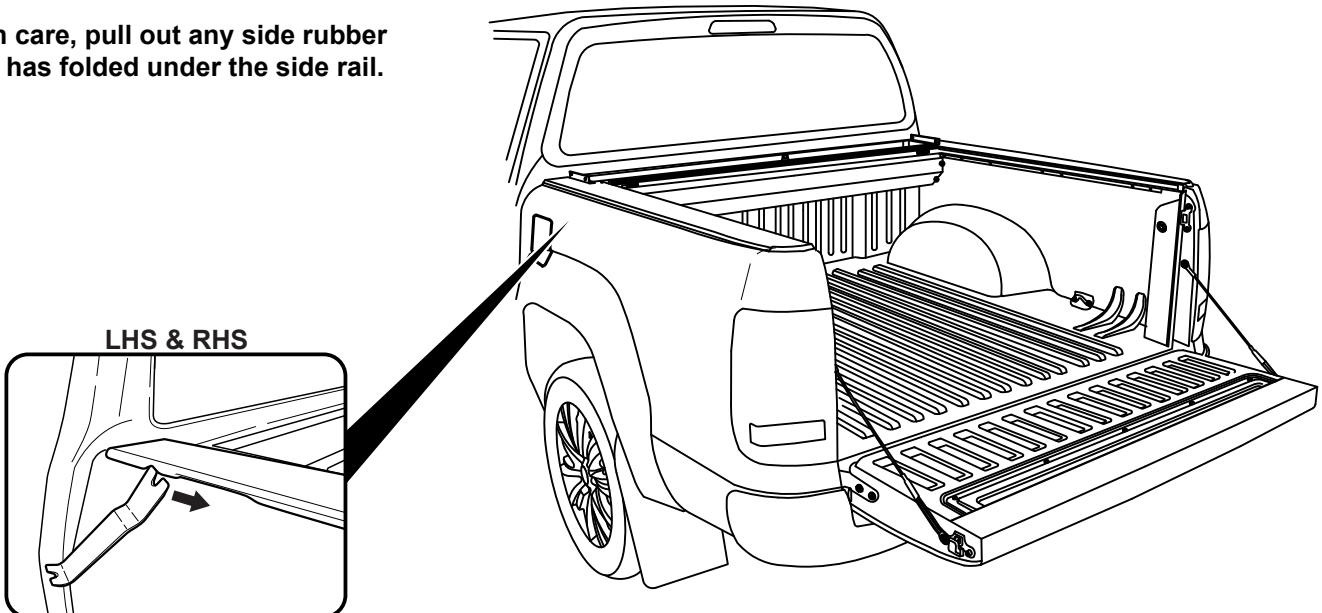
**NOTE:** If your vehicle does not come with the factory bolts, use the M8x25mm & M6x20mm provided in the kit.

Place the Roll-R-Cover unit on to Ute bed.



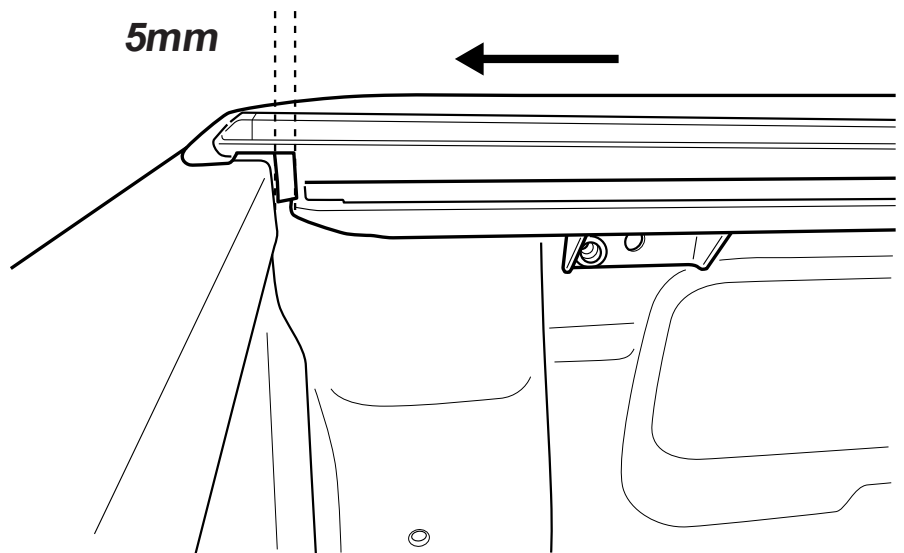
4 People  
Recommended for lift

With care, pull out any side rubber that has folded under the side rail.



With the tailgate up (Closed position),  
Pull left & right hand side rails  
towards the tailgate, stopping short by  
5mm between tailgate and side-rail  
end-cap.

5mm

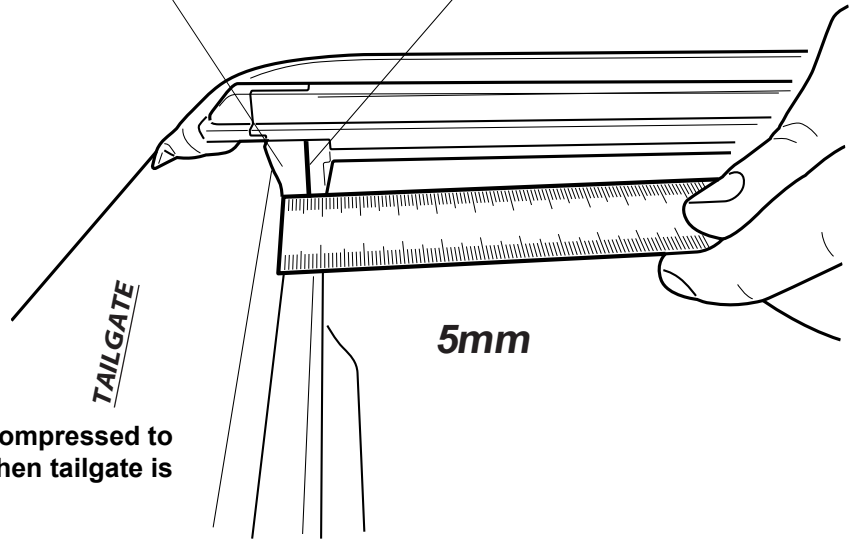


Foam compressed to  
5mm when tailgate is  
closed.

Gap between tailgate and side-rail end cap to be 5mm.

Foam seal

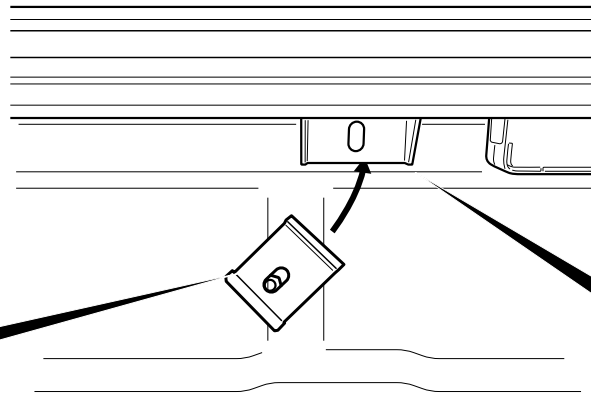
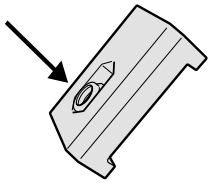
Side rail end cap



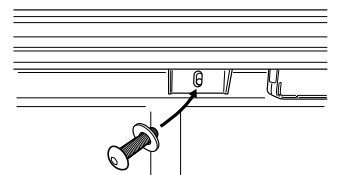
Foam compressed to 5mm when tailgate is closed.

Position clamp behind the inner top lip of the bed rail and the center elongated hole of the side rail mounting brackets. Repeat to all 6 positions.

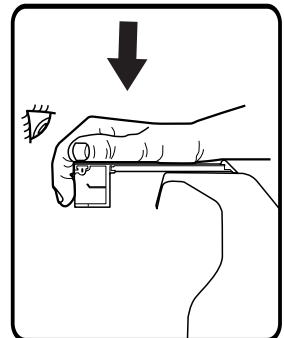
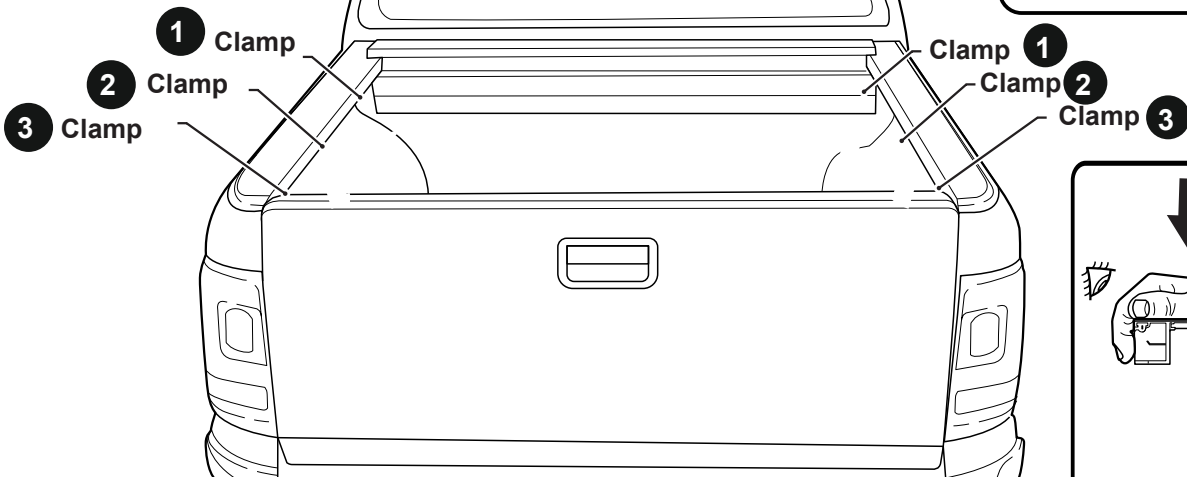
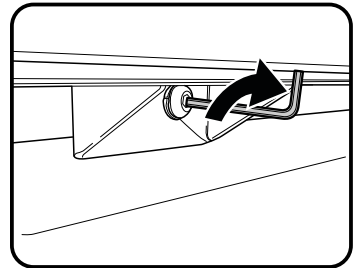
Ensure the M8 nut is in the indicated slot of the clamp



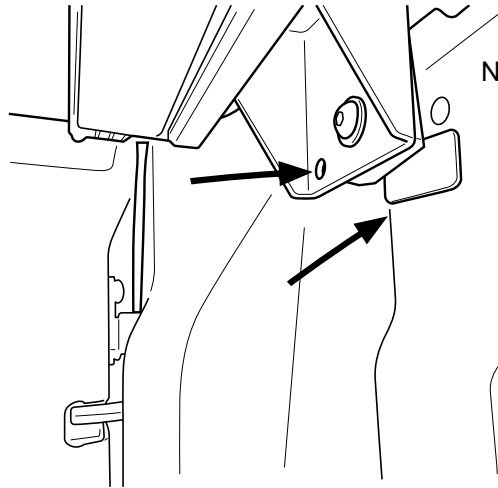
Fasten clamp loosely into position using M8 washer, M8 spring washer and M8 x 35mm bolt.



Apply pressure then tighten clamps in the order indicated.



Apply flat plate behind adjusting bolt hole to the ute bed panel or to the liner if the Ute is equipped with a tub liner.

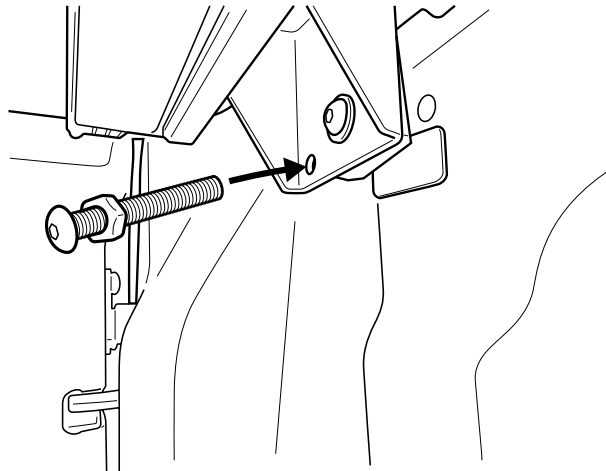


Note: Rear Clamp bracket.

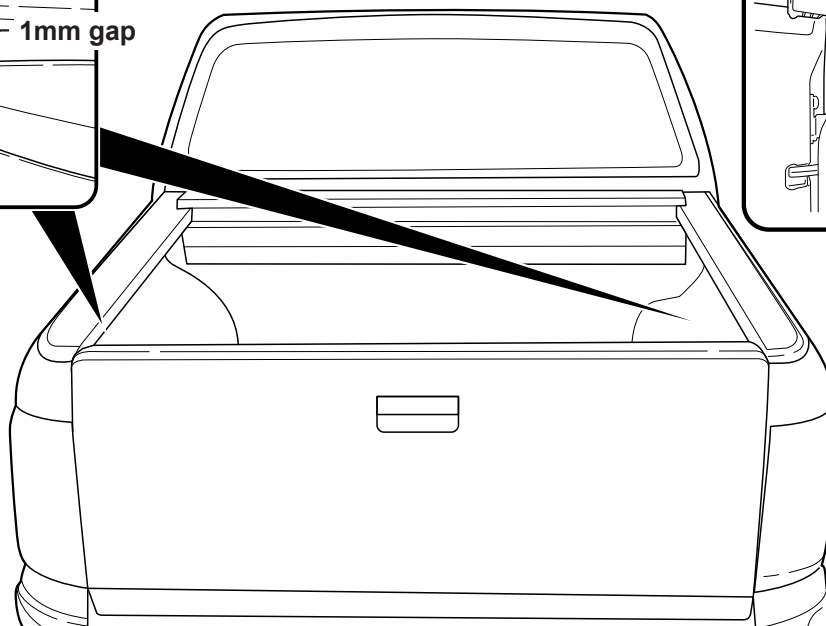
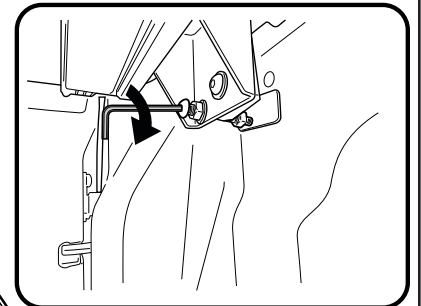
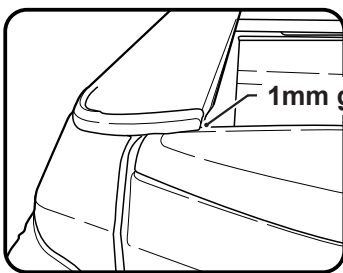


Note: Clean surface before applying flat plate.

Feed M8 nut into M8x70mm bolt and through clamp bracket's pre-installed nutsurt as indicated.

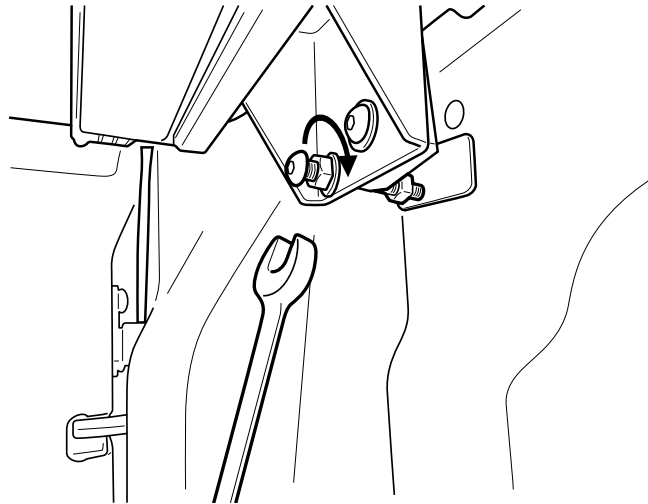


Side rail rubber must have a 1mm gap from the top of the tailgate in the closed position.



Drive the adjustment bolt in to lift the rear of the side rail till it clears the tailgate.

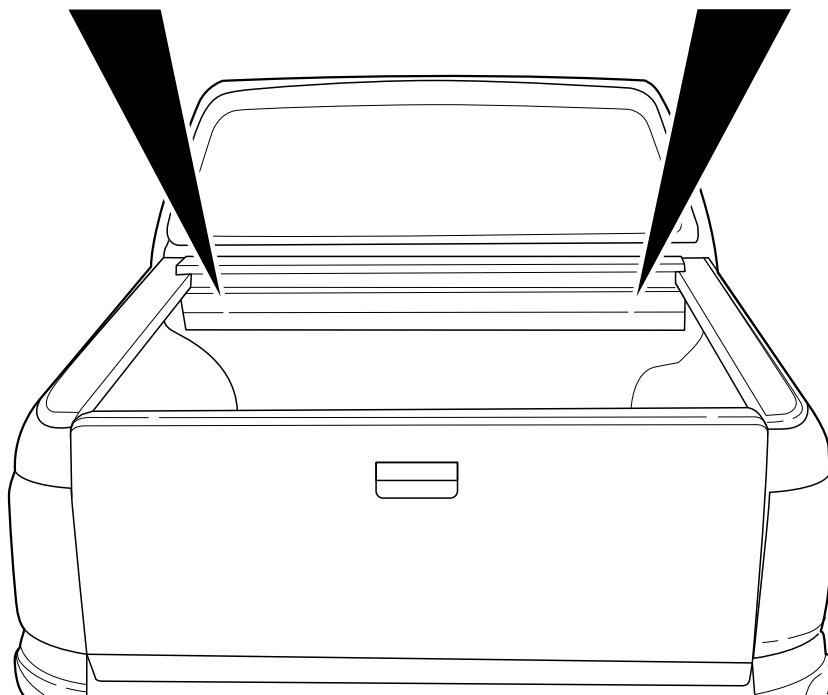
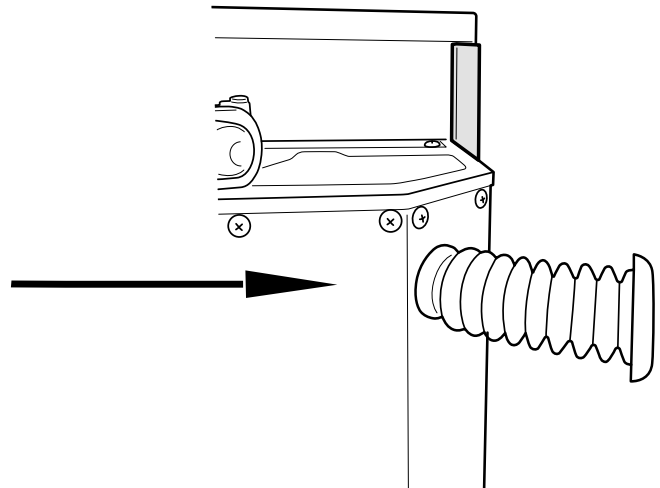
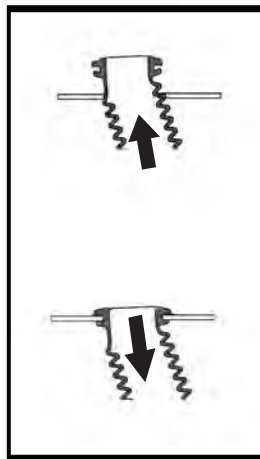
Fasten the M8 nut against clamp bracket.



Install front drain pipes through pre-drilled holes of the canister. ( RHS/LHS)



Note: With care push tube in.  
Taking care pull the tube back  
so it seals correctly against  
the front panel of the tub.

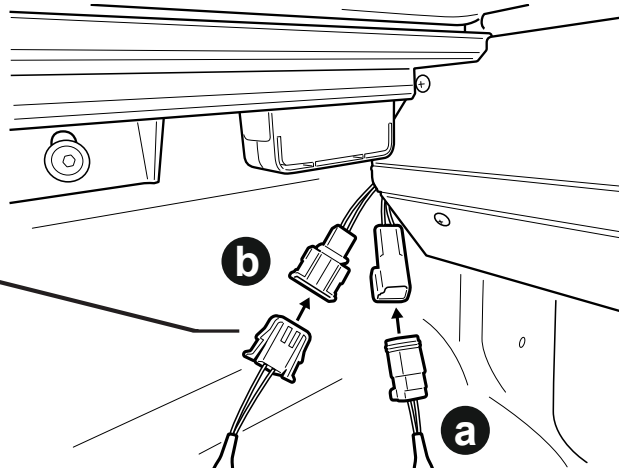




- a. Connect Battery loom S2.75 to Receiver loom.
- b. **Carefully** connect CI-Loom-short to Receiver loom.



Align connectors carefully to avoid pushing pins out.



NOTE: 1. To wear in the Roll R Cover please fully open & close the cover approximately 15 times after install is complete.

2. Set your vehicle locking system to unlock all doors with one press of the factory remote unlock button. This setting can be found in your vehicle settings.

### Operating instructions:

Press unlock on vehicle key fob to activate controller.

When vehicle is unlocked the side rail sensor buttons will be active to control.

When vehicle is locked the side rail sensor buttons will be inactive.

### Using factory key fob to operate:

Pressing unlock twice on the factory key fob within 4 seconds, will activate the roll r cover to open.

Pressing lock twice on the factory key fob within 4 seconds, will activate the roll r cover to close.



### Vehicle proximity:

Tapping the proximity twice to open or lock the car door will act exactly the same way as the key fob being pressed twice.

Touch & let go to open, touch & let go again to pause.

Touch & let go to close, touch & let go again to pause.

