



WWW.HSPUTELIDS.COM

1300 441 498

Part No: NN12-1

Fitting Time: 30 mins



**Nissan NP300
Navara Face Lift Dual Cab
MY21.5**

HSP TAIL ASSIST

FITTING INSTRUCTIONS

—GENERAL NOTES

- Read through the fitting instructions prior to installation of accessory.
- Ensure all recyclable components and packaging are discarded and recycled following local recycling regulations.
- Safely store and protect any removed vehicle components.

—SAFETY NOTES

- Check that all work practices comply with safety standards.
- Please wear appropriate clothing and use safety equipment.

—FITTING TIME



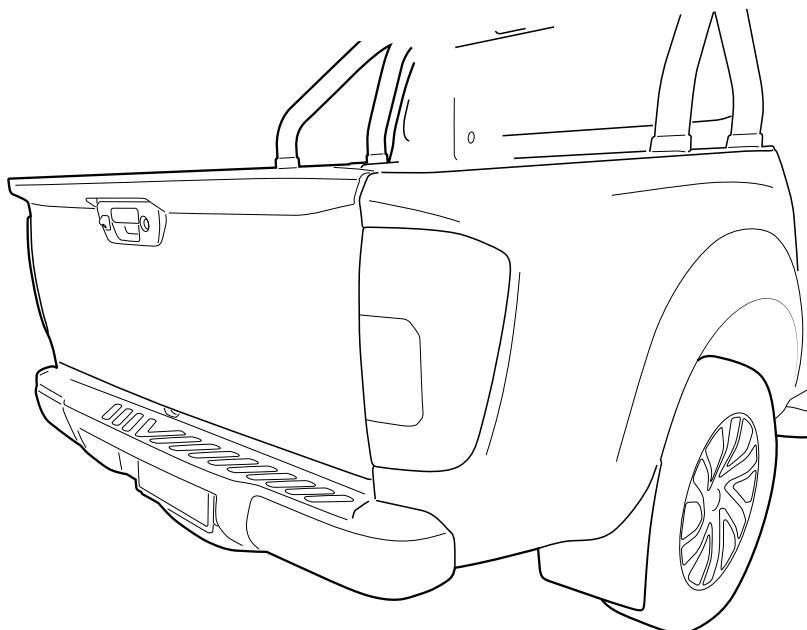
30 mins

—PARTS SUPPLIED

PART NUMBER	PART DESCRIPTION	QUANTITY
KSD-SPEC-1	Dampener strut	1
TA-21	Tailgate Mount R/H	1
TA-06RH	Tub Mount R/H	1
	<u>Other</u>	
TR-320	CLEAR PROTECTION TAPE	1
	Alcohol wipe	1

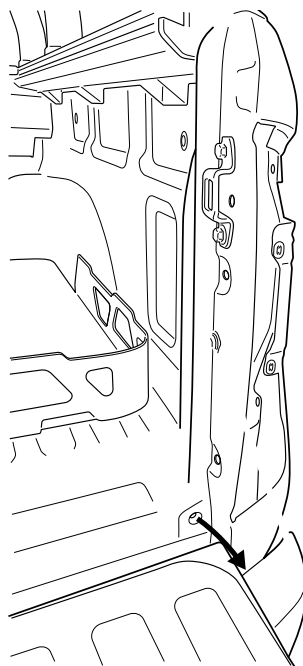
— STEP 1 —

Open tailgate.



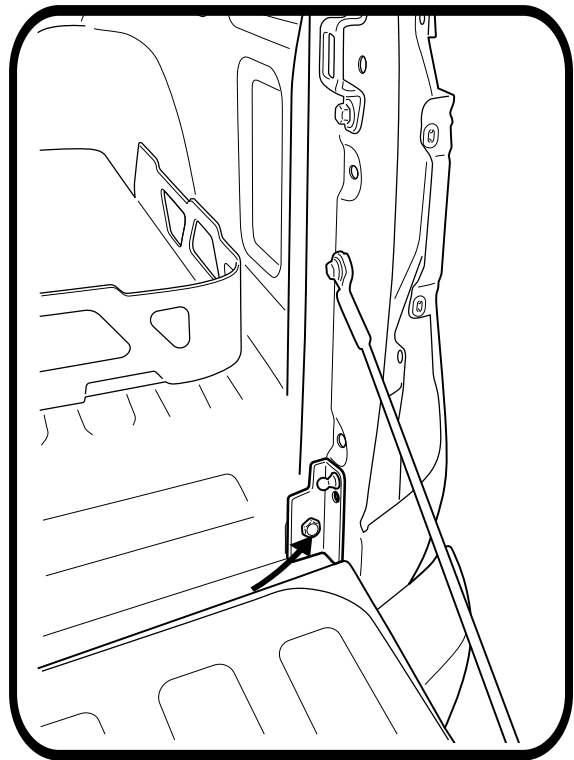
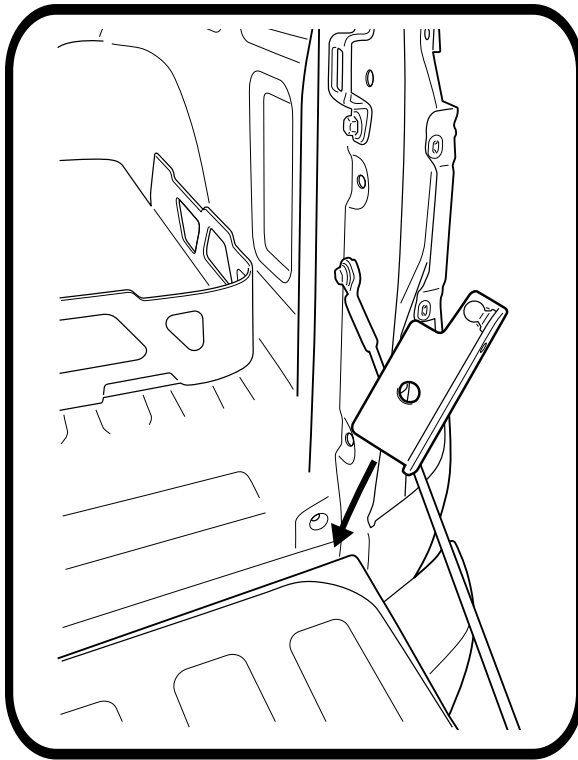
— STEP 2 —

Remove the indicated bolt .



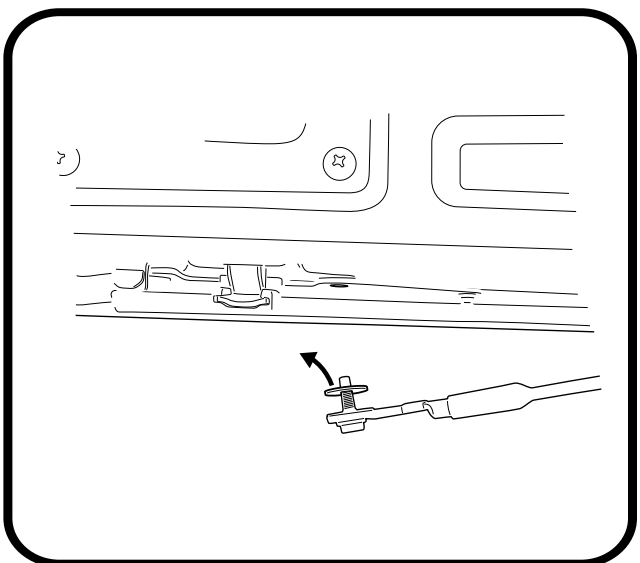
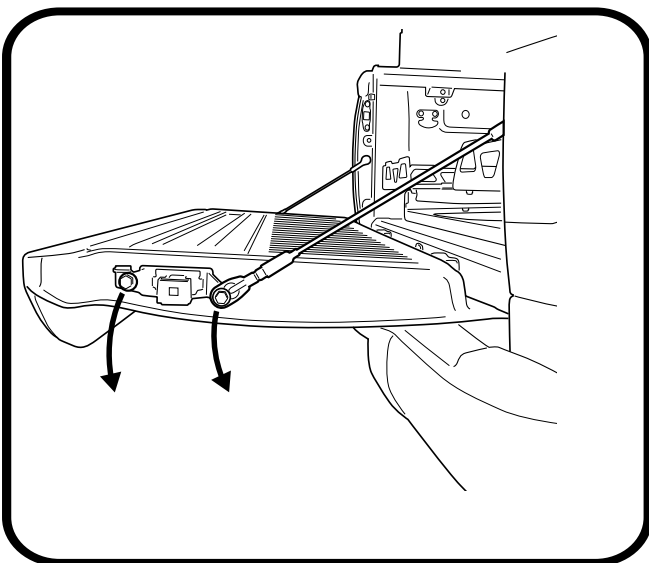
— STEP 3 —

Place part number TA-22 (Tub mount right hand) as indicated. Using the factory bolt retained, now secure in place.



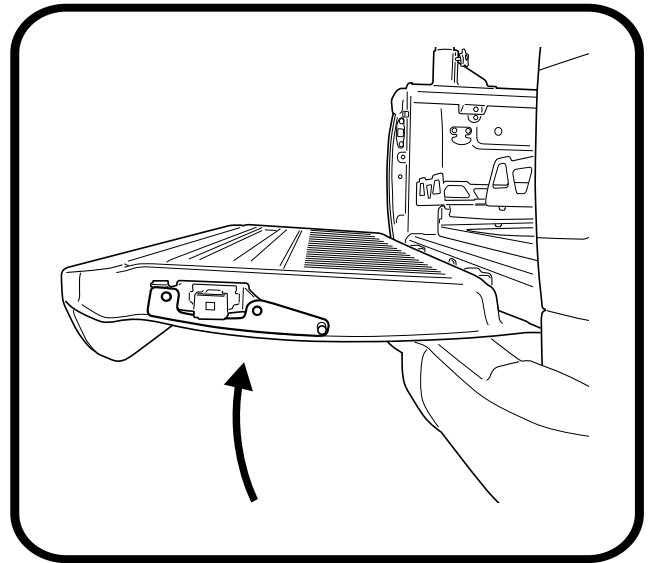
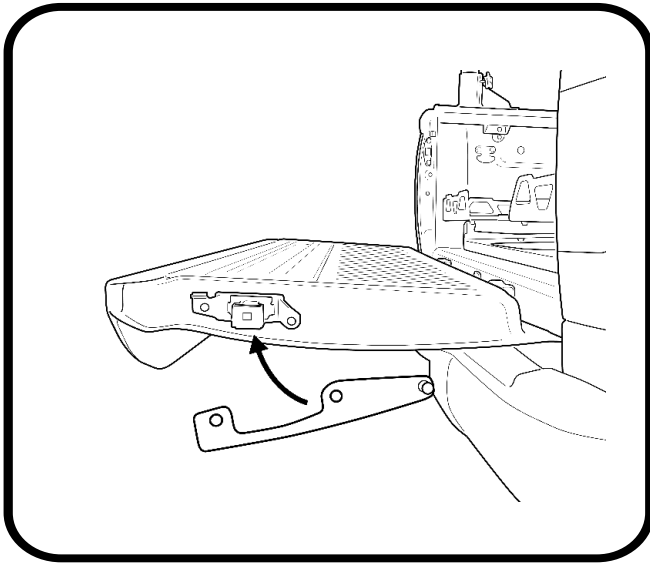
— STEP 4 —

1. Remove indicated bolts and retain.
2. Remove and discard the steel washer, please retain the shim washer.



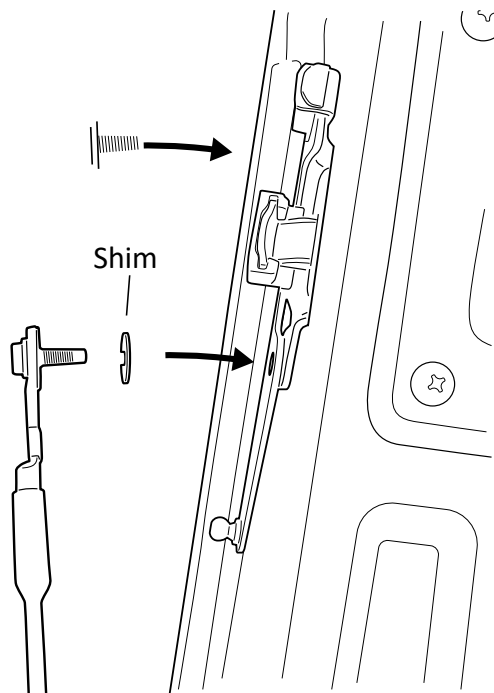
—STEP 5—

Place TA-21 as indicated.

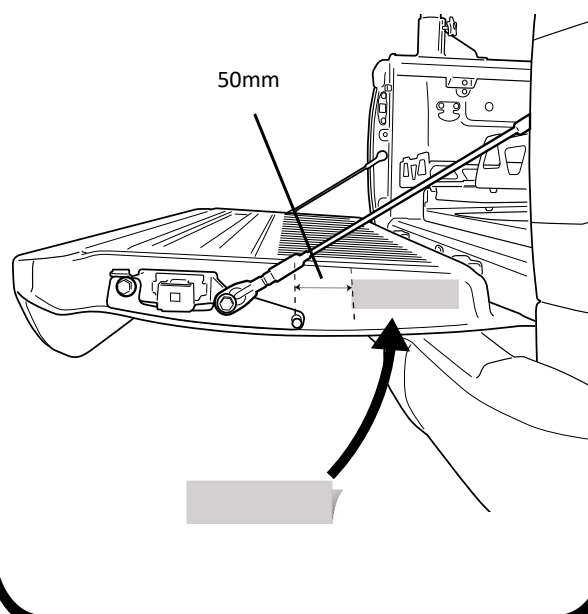


—STEP 6—

1. Fasten the bracket into place using the retained bolts.
2. Inspect the factory strap making sure it can move freely.

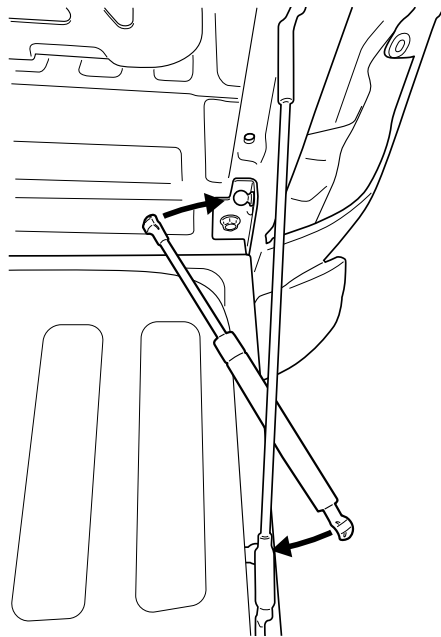


Peel backing of the TR-320 clear tape & apply to indicated area.



— STEP 7 —

1. Connect part number KSD SPEC 1(Dampener strut) as indicated. You will need to pull on the shaft to extend and click in to position.



— FITTING COMPLETE —