



WWW.HSPUTELIDS.COM

1300 441 498

Part No: MR12
Fitting Time: 30 mins



Mitsubishi Triton MR

HSP TAIL ASSIST

FITTING INSTRUCTIONS

—GENERAL NOTES

- Read through the fitting instructions prior to installation of accessory.
- Ensure all recyclable components and packaging are discarded and recycled following local recycling regulations.
- Safely store and protect any removed vehicle components.

—SAFETY NOTES

- Check that all work practices comply with safety standards.
- Please wear appropriate clothing and use safety equipment.

—FITTING TIME



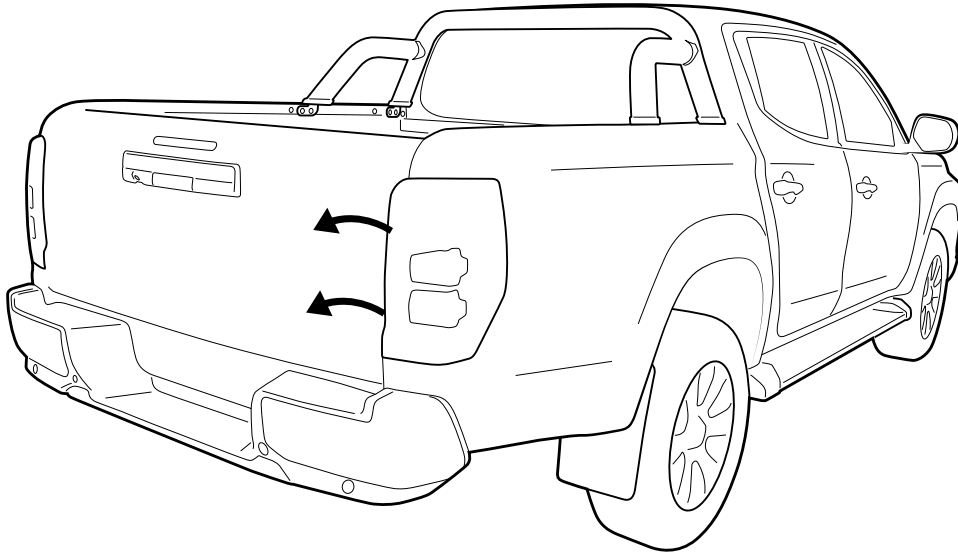
30 mins

—PARTS SUPPLIED

PART NUMBER	PART DESCRIPTION	QUANTITY
KSD-SPEC-1	Dampener strut	1
TRS-SPEC-1	Traction Strut	1
TA-09RH	Tub mount R/H	1
TA-09LH	Tub mount L/H	1
TA-08RH	Tailgate mount R/H	1
TA-08LH	Tailgate mount L/H	1
	<u>NUTS AND BOLTS</u>	
47	M8 x 25mm Bolt	4
24	M8 thick washer	4
40	M8 Nyloc nut	4
	<u>OTHER</u>	

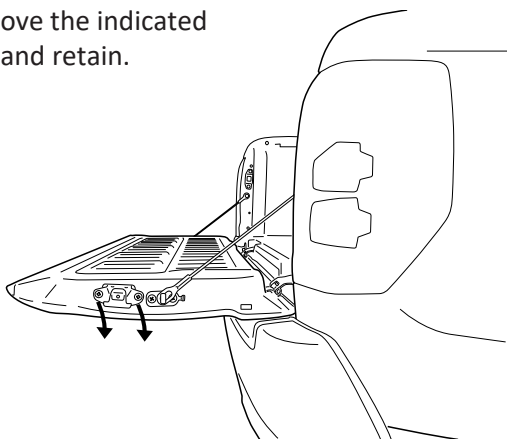
— STEP 1 —

Open tailgate, and remove the drivers side tail light assembly.

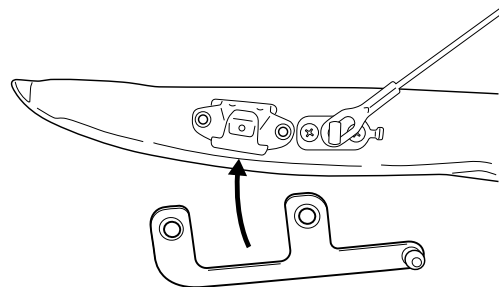


— STEP 2 —

Remove the indicated bolt and retain.

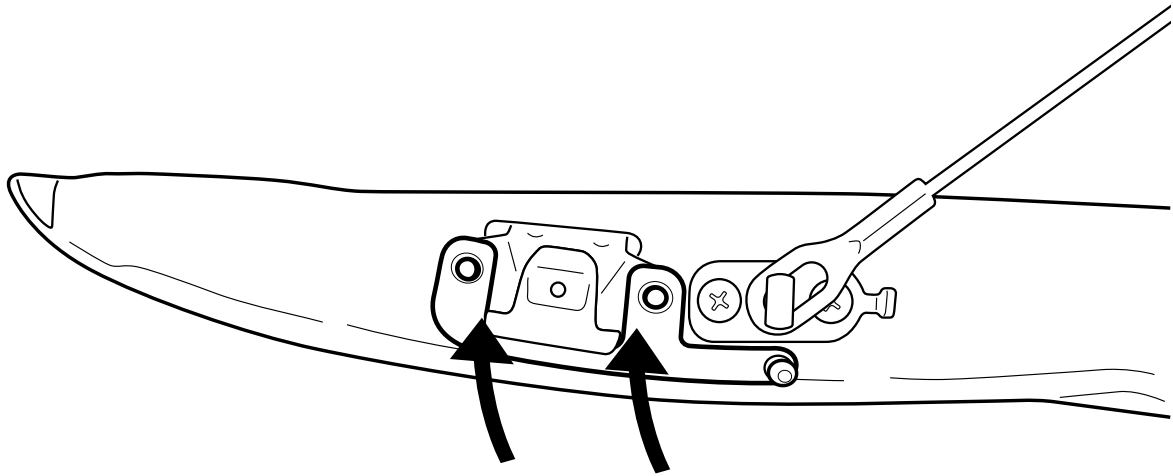


Place TA-08 tailgate r/h over the factory bracket



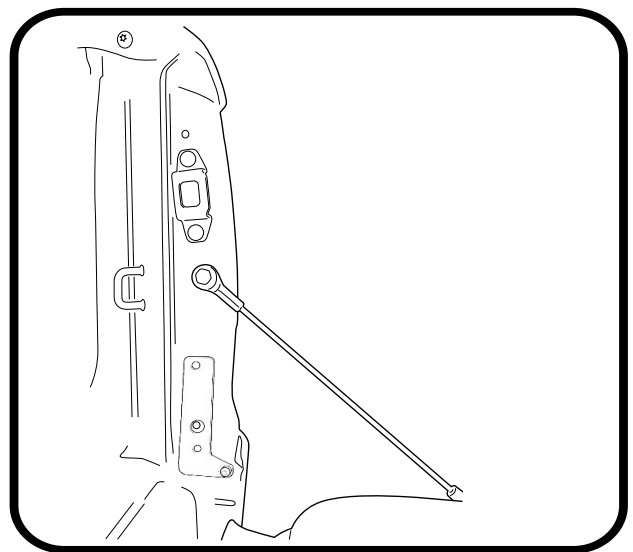
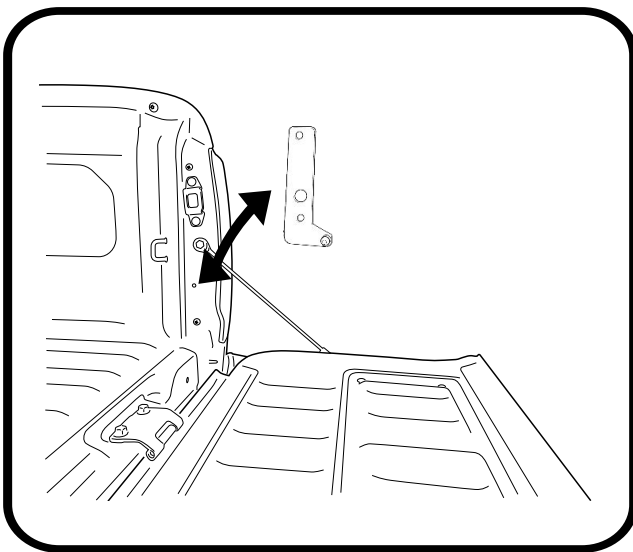
—STEP 3—

Fasten into place using the factory bolts.



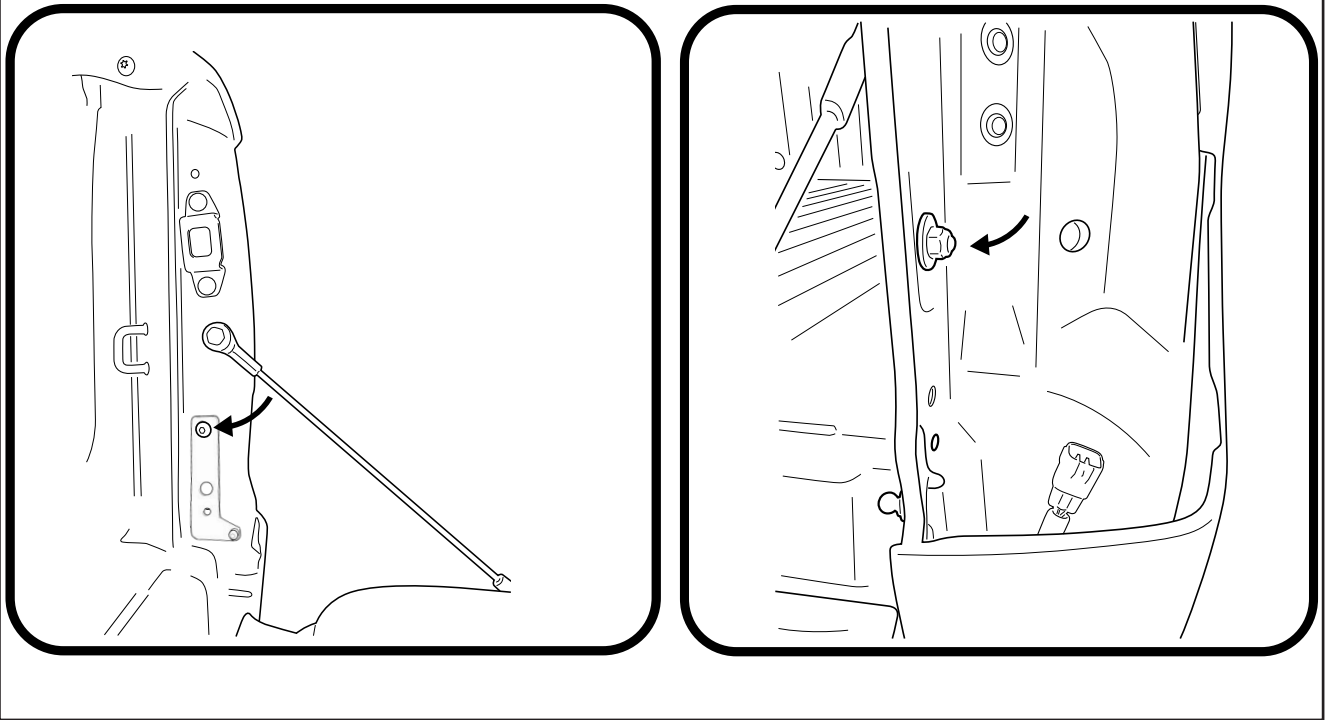
—STEP 4—

Align bracket TA-09RH tub mounts top hole with the indicated hole on the tub.



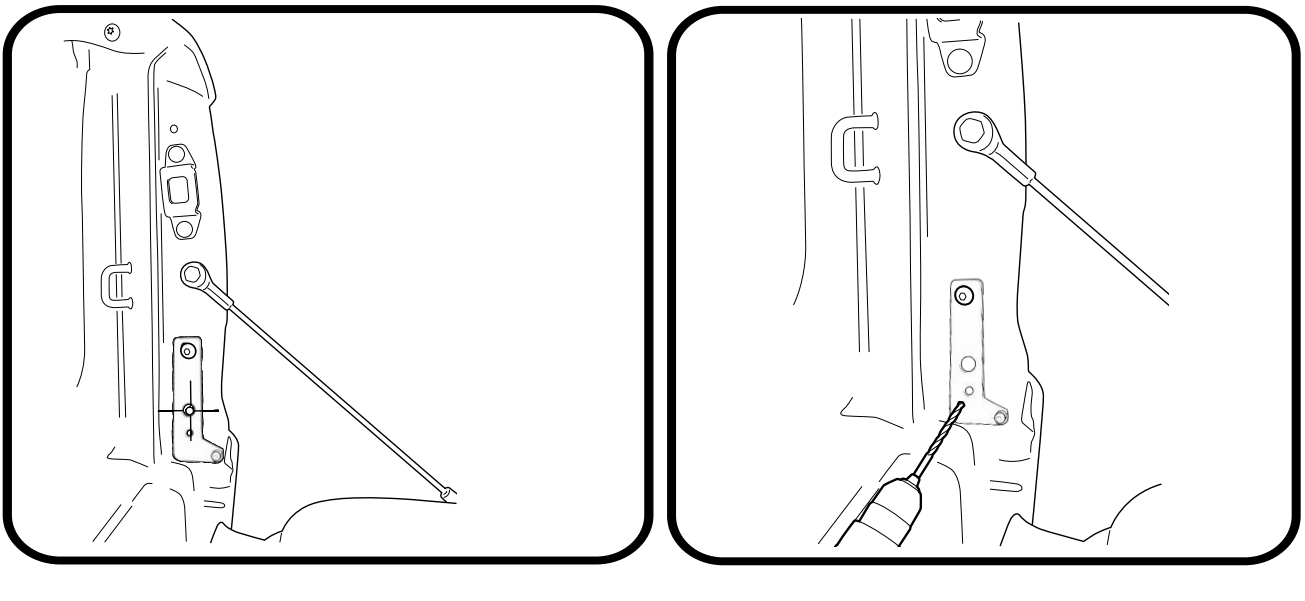
—STEP 5—

Feed M8 x 20mm button bolt supplied through the bracket and ute body, fasten using the 3mm thick washer and M8 nyloc nut provided.



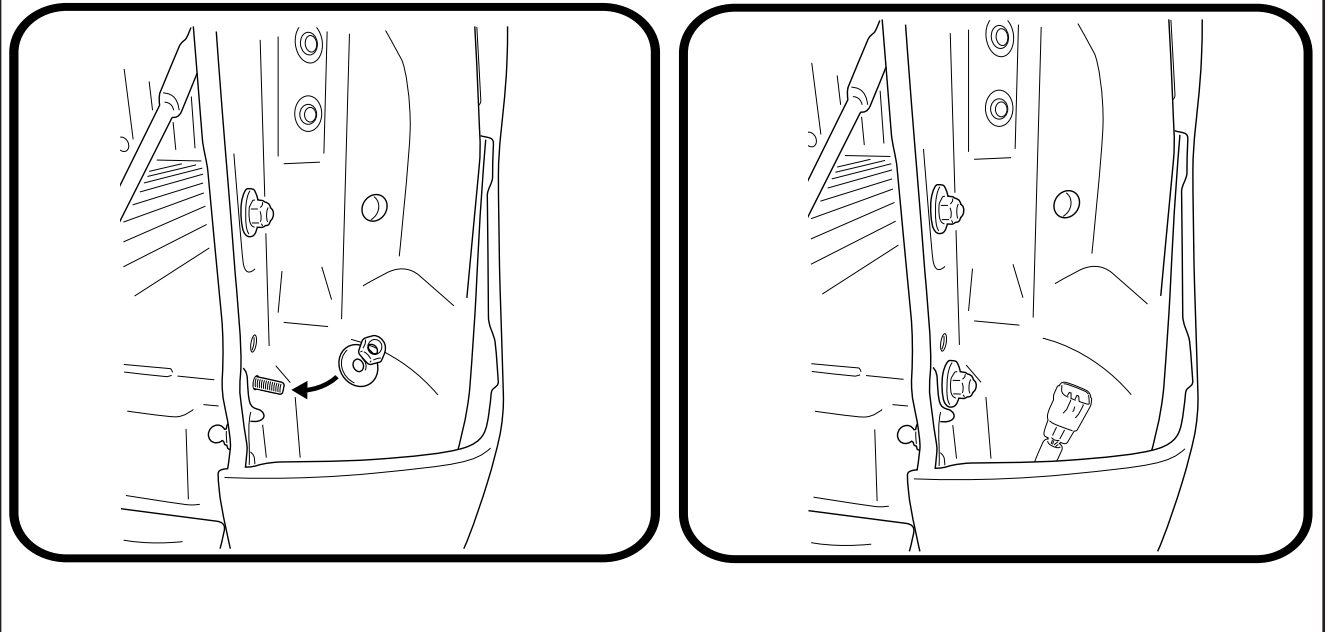
—STEP 6—

1. center the bracket with the tread on the body as indicated.
2. Drill through the bottom pre drilled hole of TA-09RH it in to the tub body (using a 8mm drill bit), Clean surface & apply rust inhibitor.



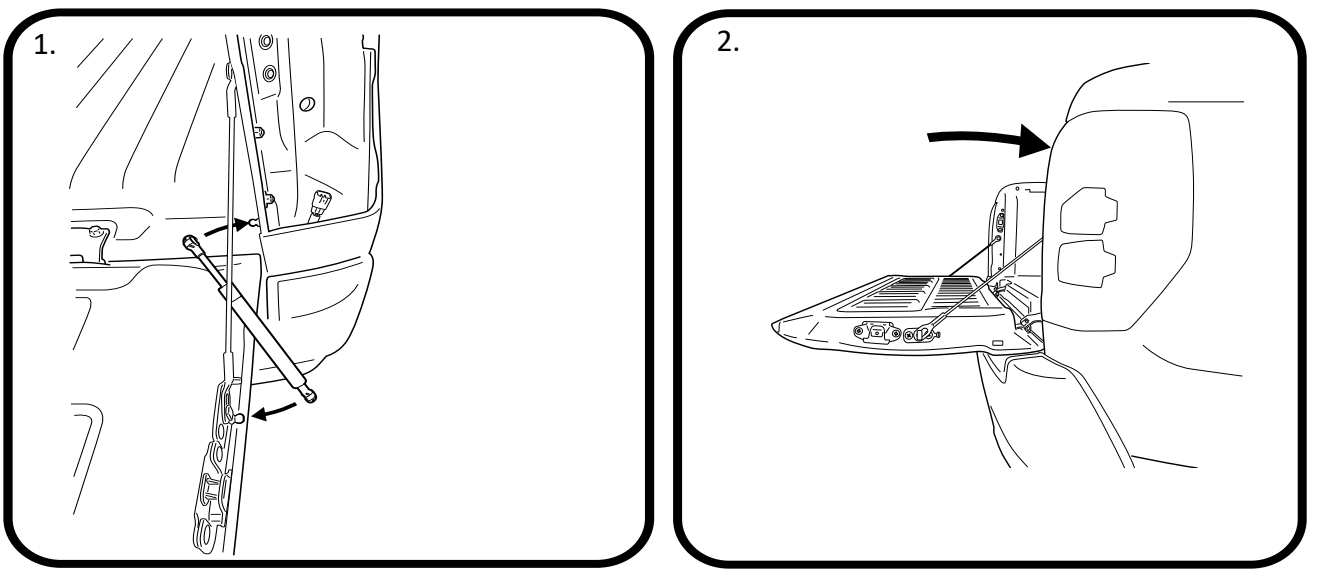
— STEP 7 —

Feed M8 x 20mm button bolt supplied through the bracket and ute body, fasten using the 3mm washer and M8 nyloc nut provided



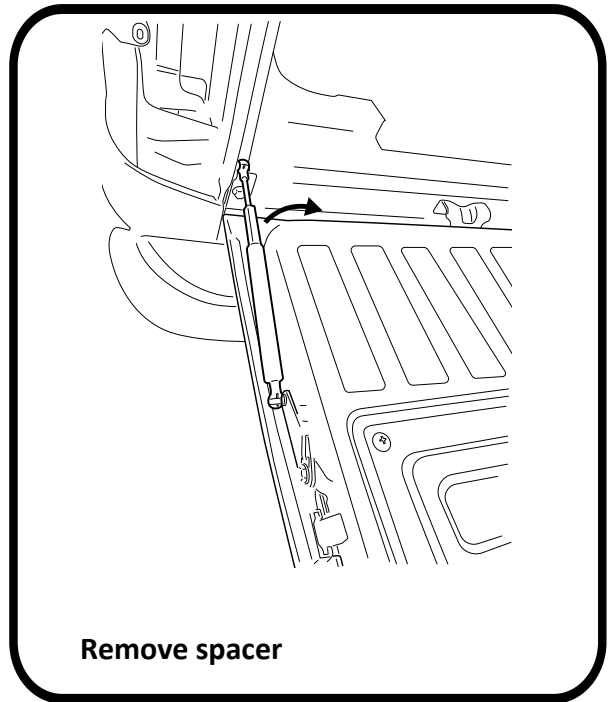
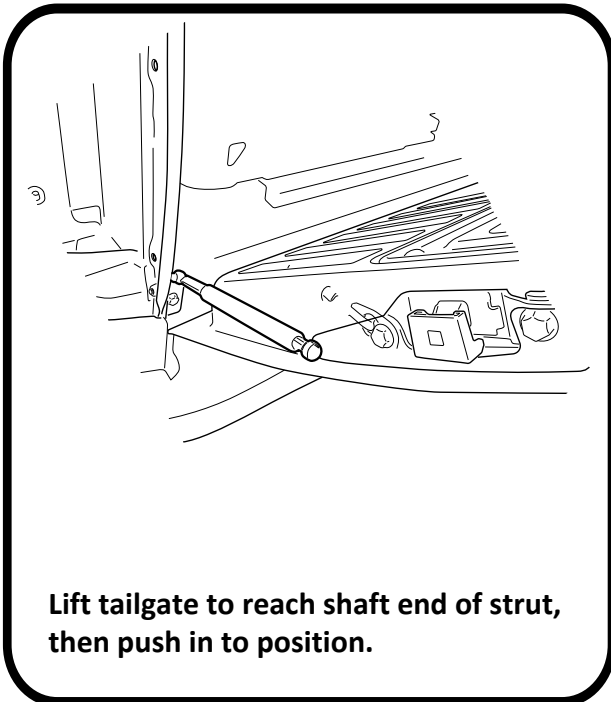
— STEP 8 —

1. Connect part number KSD-Spec-1 (Dampener strut) as indicated. You will need to pull on the shaft to extend and click in to position.
2. Re-fit the tail light on the drivers side.



— STEP 8 —

Now repeat all the above steps on the passenger side
NOTE: The passenger side Strut has a spacer which will need removing once installed.



— FITTING COMPLETE —