



WWW.HSPUTELIDS.COM

1300 441 498

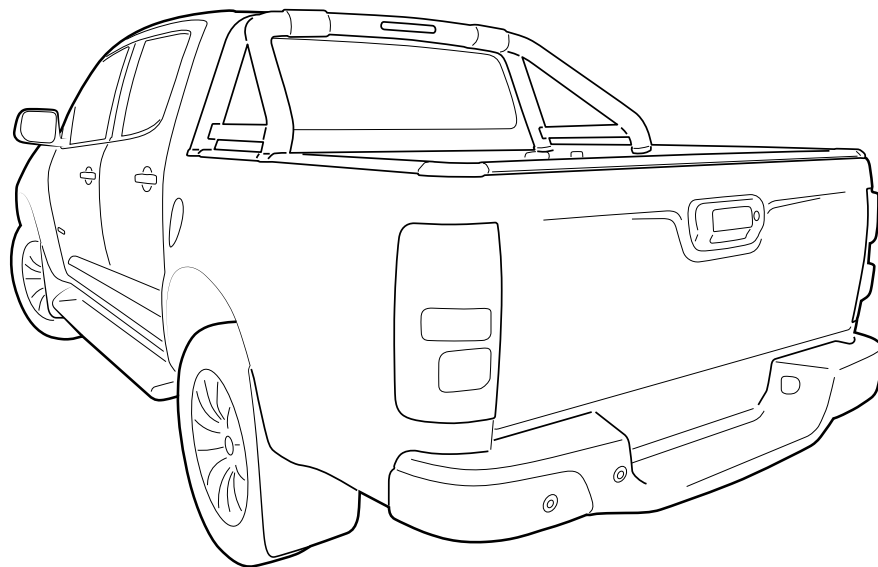
Part No: C12N

Fitting Time: 30 mins

Tail. Assist

A stylized red hand graphic, palm facing up, positioned to the left of the word 'Assist' in the main title.

HOLDEN RG COLORADO 2016+ (MY16)



HSP TAIL ASSIST

FITTING INSTRUCTIONS

—GENERAL NOTES

- Read through the fitting instructions prior to installation of accessory.
- Ensure all recyclable components and packaging are discarded and recycled following local recycling regulations.
- Safely store and protect any removed vehicle components.

—SAFETY NOTES

- Check that all work practices comply with safety standards.
- Please wear appropriate clothing and use safety equipment.

—FITTING TIME



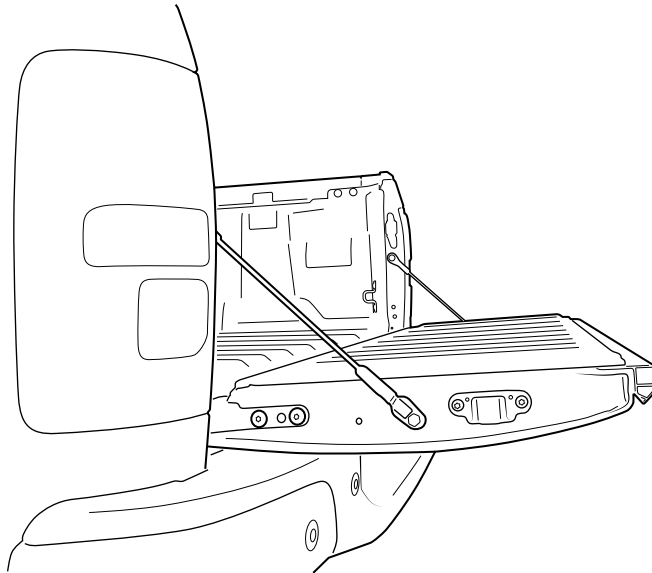
30 mins

—PARTS SUPPLIED

PART NUMBER	PART DESCRIPTION	QUANTITY
KSD-SPEC-1	Dampener strut	1
TRS-SPEC-1	Traction Strut	1
TA-03	M8 shoulder bolt tub mount	2
TA-17	m8 ball bolt	2
	<u>NUTS AND BOLTS</u>	
47	M8 X 20mm button socket ss	2
20	M8 body washer	2
	<u>OTHER</u>	
TR320	protective clear tape 50 x 110mm	2

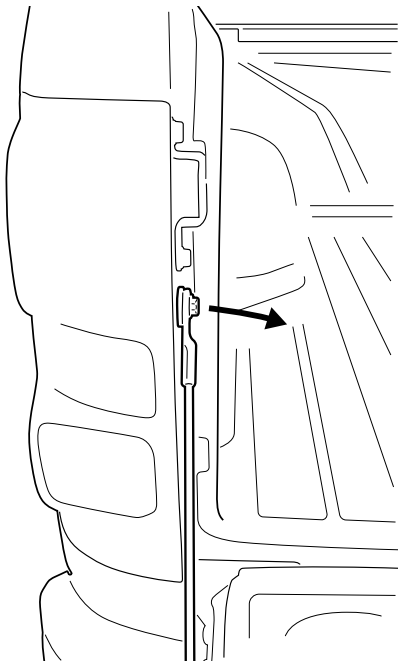
— STEP 1 —

Open tailgate.



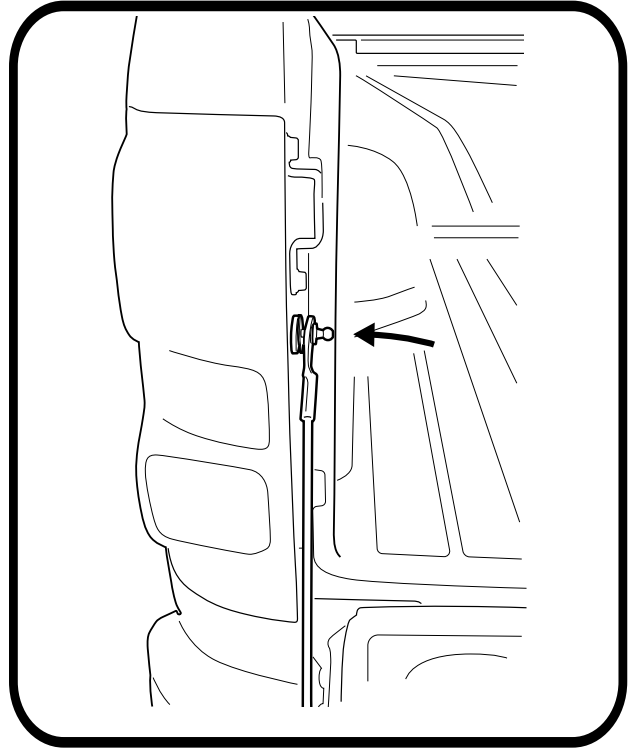
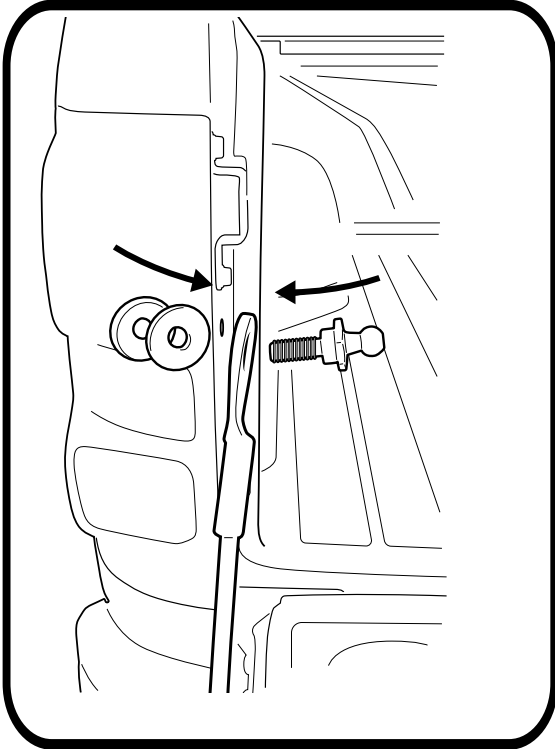
— STEP 2 —

Remove indicated bolt holding strap on the passenger side, and discard.



— STEP 3 —

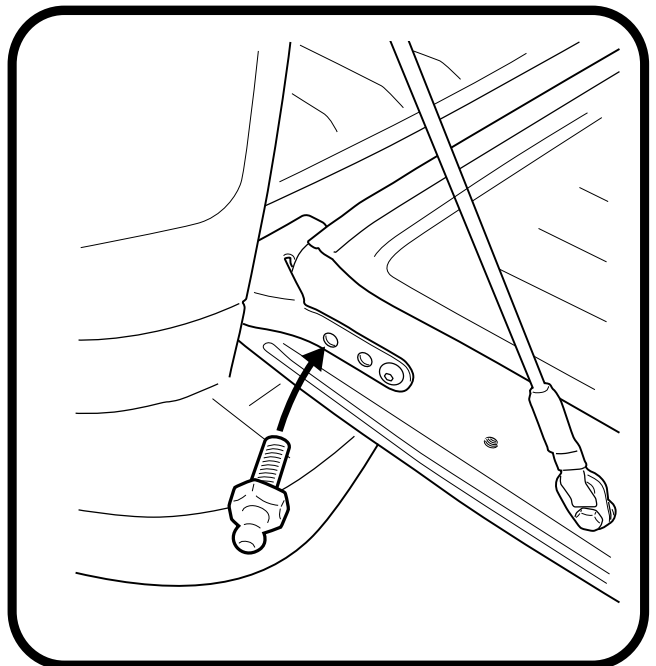
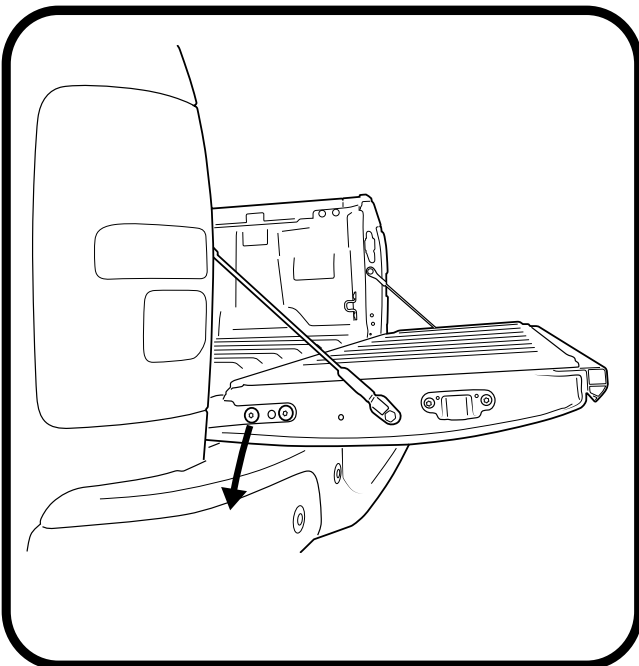
Feed part number(TA-03) M8 shoulder bolt trough strap, followed by washer provided in the kit & through the retained washer of the vehicle. Now tighten.



— STEP 4 —

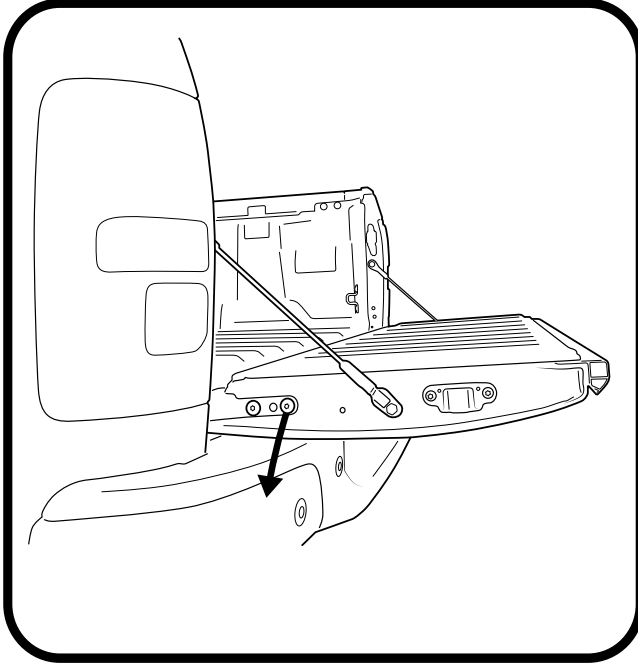
Remove indicated bolt, and discard.

Replace and fasten with part no.TA-17 M8 ball bolt.

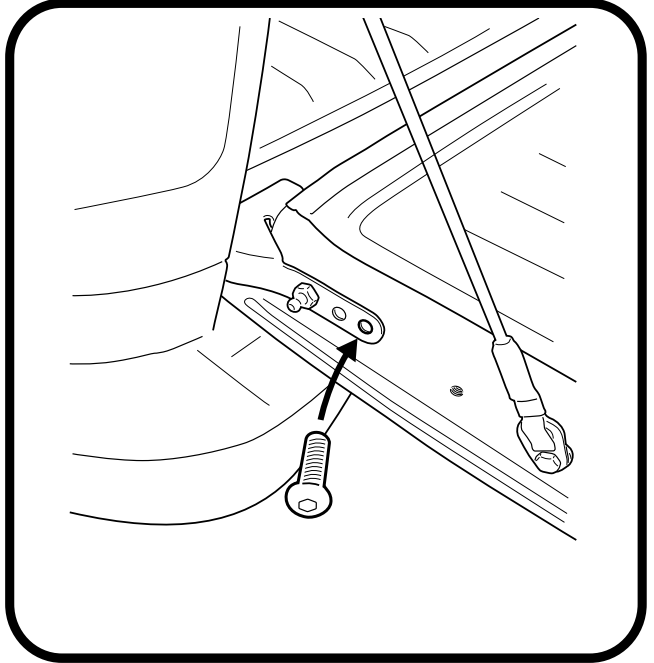


— STEP 5 —

Remove indicated bolt, and discard.

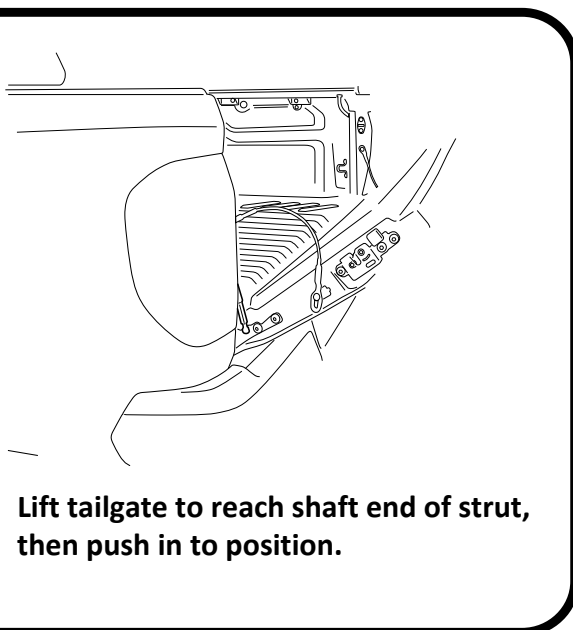


Replace and fasten with part no. 47 M8 bolt.

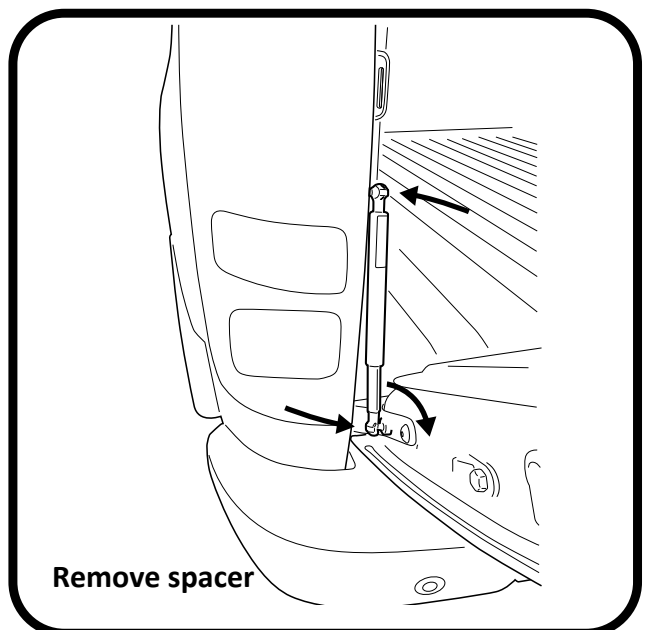


— STEP 6 —

Now repeat all the above steps on the drivers side.
NOTE: The passenger side Strut (part number TRS) has a spacer
which will need removing once installed.



**Lift tailgate to reach shaft end of strut,
then push in to position.**



Remove spacer

— FITTING COMPLETE —————